

**Wall Mount Switching Power Supply**

**FEATURES**

- 2 Year Warranty
- FCC Part 15 Class B, Compliance
- DOE Level VI Efficiency
- IEC 60950 / 2nd Edition

**ELECTRICAL SPECIFICATIONS**

- Over voltage protection - Auto Recovery
- Input range : 90 - 264VAC
- Frequency : 47 / 63Hz
- AC Inrush Current: 20A @ 115VAC Input, 40A @ 230VAC Input
- Input current ( rms ) : 400mA Maximum
- Efficiency : 87% Min.
- Earth leakage current < 250uA @264VAC
- Hold-up time : > 10ms typical @full load, 115VAC
- Short circuit protection - Auto Recovery
- Over Current Protection - Auto Recovery

**ENVIRONMENTAL**

- Operating temperature : 0 to +40°C ( Derate linearly 2.5% per °C from 51 to 70°C )
- Storage temperature: -20°C to +85°C
- Operating Humidity: 75% RH / Storage Humidity: 95% RH
- MTBF : >40,000 hours @full load and 25°C ambient temperature



Dimension : 67mm(L) x 27mm(W) x 42.3mm (H)

**SAFETY STANDARDS**

UL60950-1, 2nd Edition  
CSA C22.2 No. 60950-1-07,  
2nd Edition 2011.12

**EMC STANDARDS**

FCC Part 15 Class B  
ANSI C63. 4:2009  
VCCI V-3 and V-4

**DC OUTPUT & FEATURES**

Model	Output Rating	Minimum Load	Maximum Load	Po Max.	Average Efficiency	Ripple & Noise (Vp-p) Full Load
SA12-33-X	+ 3.3V	0A	3.63A	12W	> 81%	100mV
SA12-50-X	+ 5.0V	0A	2.40A	12W	> 81%	100mV
SA12-75-X	+ 7.5V	0A	1.60A	12W	> 81%	100mV
SA12-90-X	+ 9.0V	0A	1.33A	12W	> 81%	100mV
SA12-12-X	+ 12.0V	0A	1.00A	12W	> 81%	120mV
SA12-15-X	+ 15.0V	0A	0.80A	12W	> 81%	150mV
SA12-24-X	+ 24.0V	0A	0.50A	12W	> 81%	240mV

**INPUT PLUG TYPE**

- X = U: USA Type  
E: European Type  
A: Australian Type  
K: United Kingdom Type

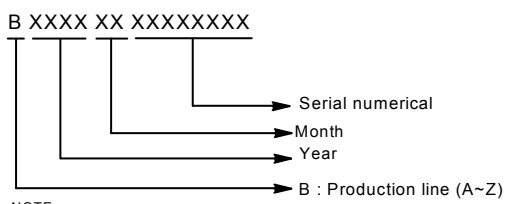
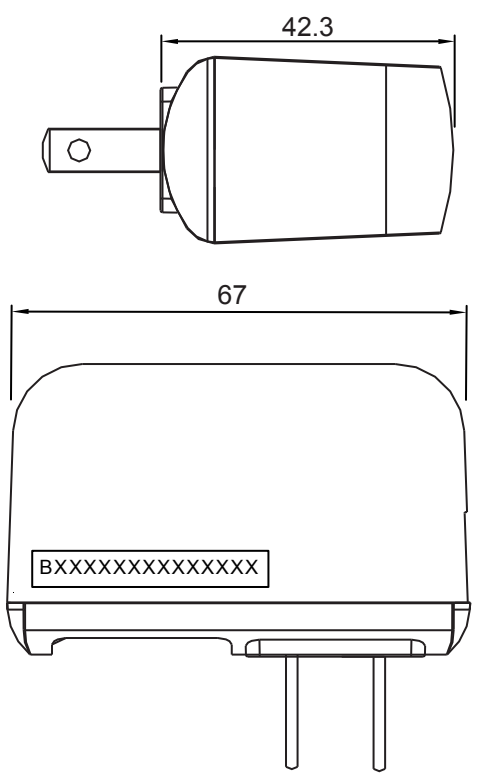


**SMP TECHNOLOGY, INC.**

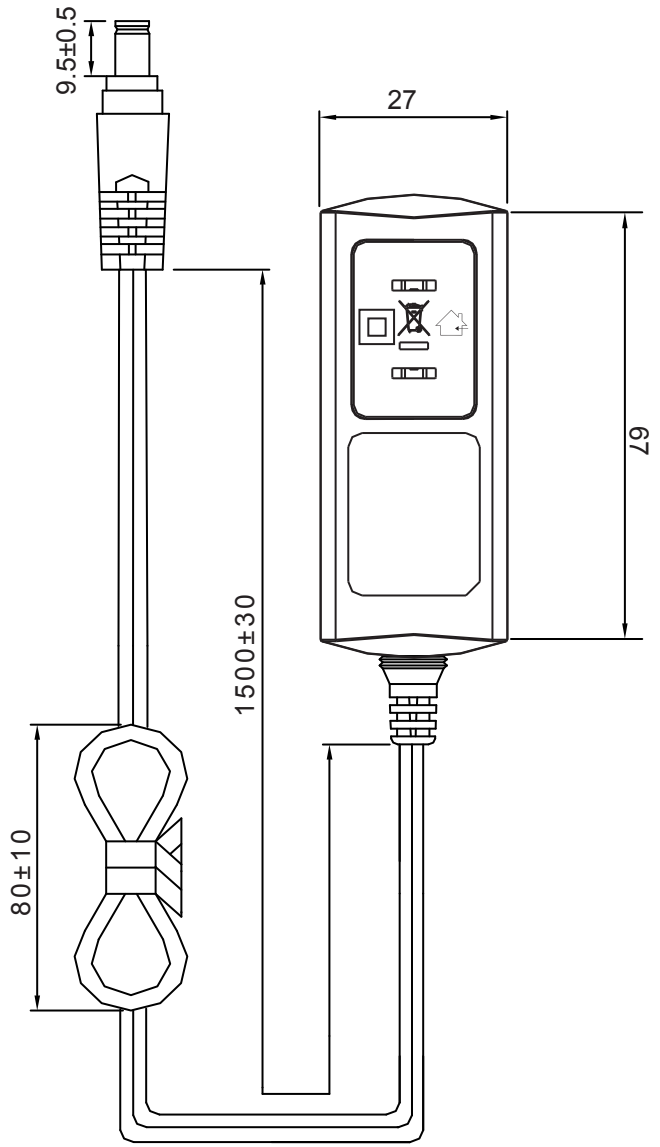
5900 Butler Ln, Scotts Valley, CA 95066  
Tel : (831) 438-9191 Fax : (831) 427-7570  
http : //www.smp-tech.com E-Mail : sales@smp-tech.com

**Wall Mount Switching Power Supply**

**MECHANICAL SPECIFICATION**



- NOTE:
1. Serial numerical digits: 15
  2. Dimension: L=28mm \* W=8mm
  3. Black word on white base



**NOTES:**

- CASE: Length 67mm x Width 27mm x Height 42.3mm
- AC INLET: 2 pin plug-in Type
- DC CABLE: UL2468 22AWG Length = 1500mm (59.1 inches)
- DC PLUG: 5.5x2.5x9.5mm Straight Barrel Socket
- Spring Loaded Center Locking Female Socket (Center Tip Positive)
- Other Output Connectors Available, Contact SMP Technology Inc.

