

Wall Mount Switching Power Supply

FEATURES

- 2 Year Warranty
- FCC Part 15 Class B, Compliance
- DOE Level VI Efficiency
- IEC 60950 / 2nd Edition

ELECTRICAL SPECIFICATIONS

- Over voltage protection - Auto Recovery
- Input range : 90 - 264VAC
- Frequency : 50 / 60Hz
- AC Inrush Current: 20A @ 115VAC Input, 40A @ 230VAC Input
- Input current (rms) : 0.4A Maximum
- Efficiency : 75% Min.
- Earth leakage current < 100uA @264VAC
- Hold-up time : > 10ms typical @full load, 115VAC
- Short circuit protection - Auto Recovery
- Over Current Protection - Auto Recovery

ENVIRONMENTAL

- Operating temperature : 0 to +40°C (Derate linearly 2.5% per °C from 51 to 70°C)
- Storage temperature: -20°C to +75°C
- Humidity: Non-condensing 10% to 90%
- MTBF : >40,000 hours @full load and 25°C ambient temperature



Dimension : 59mm(L) x 27mm(W) x 47mm (H)
Weight : 150g (0.33 lbs.)

SAFETY STANDARDS

UL60950-1, 2nd Edition
CSA C22.2 No. 60950-1-07,
2nd Edition 2011.12

EMC STANDARDS

FCC Part 15 Class B
ANSI C63. 4:2009
VCCI V-3 and V-4

DC OUTPUT & FEATURES

| Model | Output Rating | Minimum Load | Maximum Load | Po Max. | Average Efficiency | Ripple & Noise (Vp-p) Full Load |
|-----------|---------------|--------------|--------------|---------|--------------------|---------------------------------|
| SA05-30-X | + 3.0V | 0A | 2.00A | 6W | > 75% | 100mV |
| SA05-33-X | + 3.3V | 0A | 1.80A | 6W | > 75% | 100mV |
| SA05-40-X | + 4.0V | 0A | 1.50A | 6W | > 75% | 120mV |
| SA05-50-X | + 5.0V | 0A | 1.20A | 6W | > 75% | 120mV |
| SA05-60-X | + 6.0V | 0A | 1.00A | 6W | > 75% | 120mV |
| SA05-75-X | + 7.5V | 0A | 0.80A | 6W | > 75% | 200mV |
| SA05-80-X | + 8.0V | 0A | 0.75A | 6W | > 75% | 200mV |
| SA05-90-X | + 9.0V | 0A | 0.66A | 6W | > 75% | 200mV |
| SA05-12-X | + 12.0V | 0A | 0.50A | 6W | > 75% | 200mV |
| SA05-15-X | + 15.0V | 0A | 0.40A | 6W | > 75% | 200mV |
| SA05-24-X | + 24V | 0A | 0.25A | 6W | > 75% | 240mV |

INPUT PLUG TYPE

- X = U: USA Type
- E: European Type
- A: Australian Type
- K: United Kingdom Type

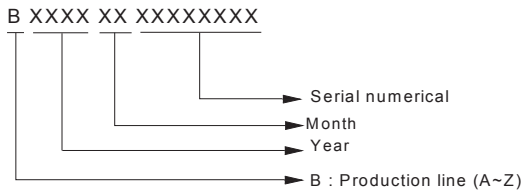
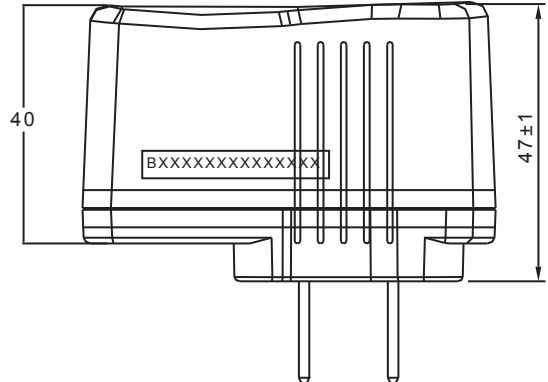
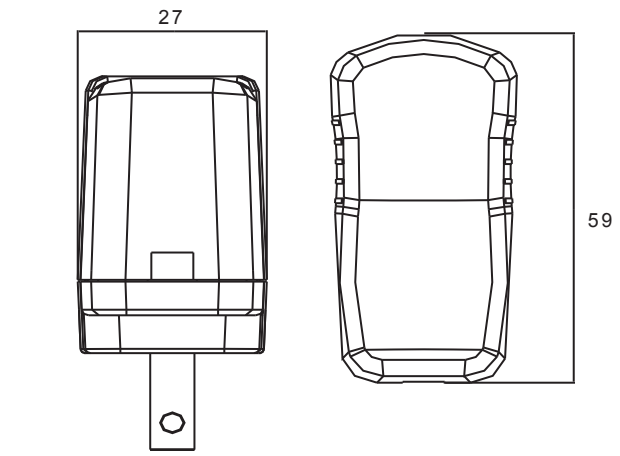


SMP TECHNOLOGY, INC.

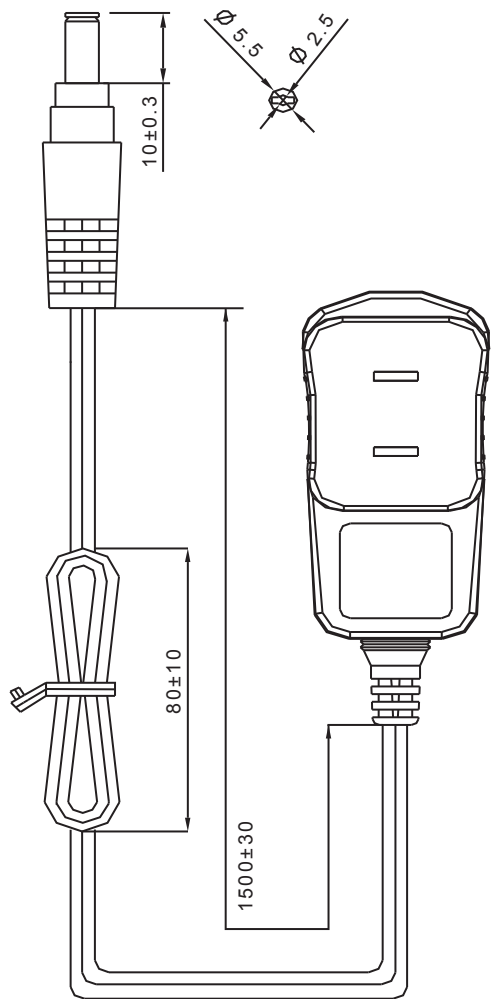
5900 Butler Ln, Scotts Valley, CA 95066
Tel : (831) 438-9191 Fax : (831) 427-7570
http : //www.smp-tech.com E-Mail : sales@smp-tech.com

Wall Mount Switching Power Supply

MECHANICAL SPECIFICATION



- NOTE:
1. Serial numerical digits: 15
 2. Dimension: L=28mm * W=8mm
 3. Black word on white base



NOTES:

- CASE: Length 59mm x Width 27mm x Height 47mm
- AC INLET: 2 pin plug-in Type
- DC CABLE: UL2468 24AWG Length = 1500mm (59.1 inches)
- DC PLUG: 2.5x5.5x10mm Straight Barrel Socket
- Spring Loaded Center Locking Female Socket (Center Tip Positive)
- Other Output Connectors Available, Contact SMP Technology Inc.

