

AC/DC Switching Adapter-Single Output

FEATURES

- RoHS Compliant
- CEC Compliant
- Over Current Protection (Auto Recovery)
- Over Voltage Protection (Auto Recovery)
- Short Circuit Protection (Auto Recovery)

ELECTRICAL SPECIFICATIONS

- Input range : 100-240VAC (Full Range)
- Frequency : 50 - 60Hz
- Turn On Time ≤ 3 Sec
- Input current (rms) : < 1.8A
- Efficiency : Meet Level V and Level VI
- Efficiency: PEA1052X1, 2: 75% Typ.
PEA1052X3, 4, 5: 84% Typ.
PEA1052X6, 7, 8: 85% Typ.
PEA1052X9, 10: 85% Typ.
- Output Voltage : +12V~ +56V
- Inrush Current : < 60A @ Cold Start
- Hold-up time : > 8.3 ms
- Protection : Over voltage protection(OVP), Latch Off
Short circuit protection, Auto recovery



Dimension : L137×W59×H34mm
AC Input : IEC 320-C14,C8 and C6

SAFETY STANDARDS

- UL 60950
- TUV / GS
- IFC 60065

EMI STANDARDS

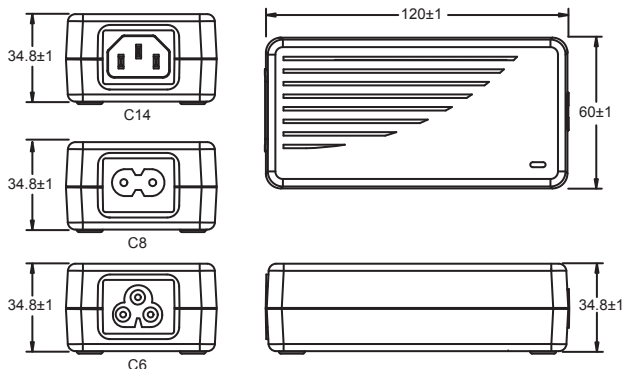
- FCC Class B
- CISPR22 Class B
- EN 55022 Class B
- EN 61000-3-2

ENVIRONMENTAL

- Operating temperature : 0°C to +40°C
- Storage temperature : -20°C to +85°C
- MTBF : >30,000 hours at full load and 25°C ambient temperature

Model No.	Output Rating		Po(Max.)	O/P Regulation	Line Regulation	Ripple & Noise
PEA1052X01	5 - 9V	9A	50W	± 5%	± 1%	150mV
PEA1052X02	5 - 9V	6A	40W	± 5%	± 1%	150mV
PEA1052X03	9 - 15V	6A	60W	± 5%	± 1%	240mV
PEA1052X04	9 - 15V	5A	50W	± 5%	± 1%	240mV
PEA1052X05	9 - 15V	4A	42W	± 5%	± 1%	240mV
PEA1052X06	15 - 24V	4A	60W	± 5%	± 1%	360mV
PEA1052X07	15 - 24V	3.33A	50W	± 5%	± 1%	360mV
PEA1052X08	15 - 24V	2.5A	42W	± 5%	± 1%	360mV
PEA1052X09	29 - 48V	1.93A	60W	± 5%	± 1%	720mV
PEA1052X10	31 - 48V	1.93A	60W	± 5%	± 1%	720mV

Note: 1. Ripple & Noise are measured using 200MHz. bandwidth oscilloscope and output are terminated with .1uF ceramic capacitor & in parallel with 47uF aluminum capacitor at full load and nominal line



To specify input connector on case:
Replace X in Model No. with "1" for C14; "2" for C8; "3" for C6 input



SMP TECHNOLOGY, INC.

5900 Butler Lane, Scotts Valley, CA 95066

Tel : (831) 440-9191 Fax : (831) 427-7570

http : //www.smp-tech.com

E-Mail : sales@smp-tech.com