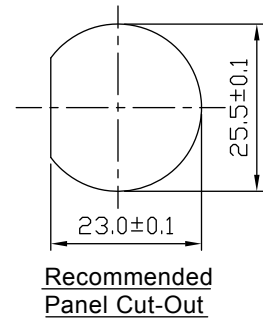
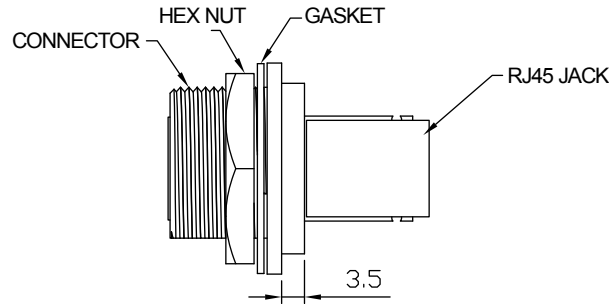
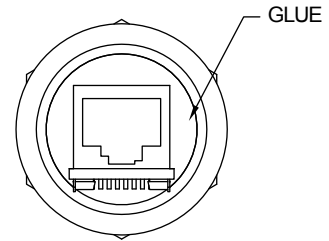
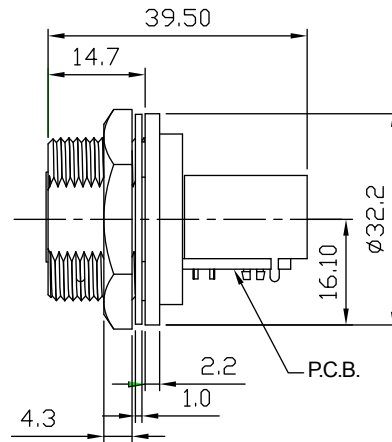
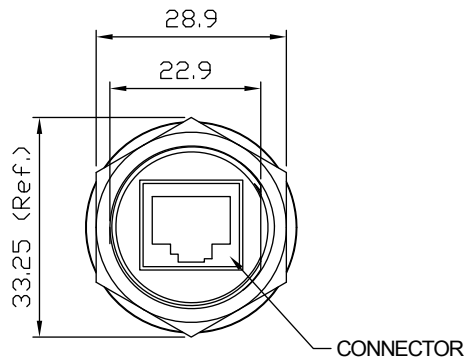


ISOMETRIC VIEW



Recommended Panel Cut-Out



ELECTRICAL:

CURRENT RATING: 1.5A Min.
 CONTACT RESISTANCE:
 < 20 Milliohm Max.
 INSULATION RESISTANCE:
 > 500 Megaohm Min.
 DIELECTRIC WITHSTANDING VOLTAGE:
 1000V (rms) AC for 1 Minute
 OPERATING TEMPERATURE: -25° C to +90° C

MATERIAL:

HOUSING: Black Thermal Plastic
 RJ45 RECEPTACLE: Gray Thermal Plastic
 CONTACTS: Copper Alloy, Au Plated Finish
 HEX NUT: Black Thermal Plastic
 GASKET: Black Silicone
 GLUE: Black Epoxy
 RJ45 PLUG: Shell: Cold Roll Steel, Ni Plated Finish
 Housing: Gray Thermal Plastic
 Contacts: Copper Alloy, Au Plated Finish

MECHANICAL:

DURABILITY: 500 Mating Cycles Min.

HOW TO ORDER:

W R 0 0 - 0 0 3 2 - 0 0 2 0 - Z

REAR TERMINATION:
 0 - Jack (Coupler)

CONTACT PLATING OPTION
 2 - 30 Microinches (Std.)

RoHS
 COMPLIANT

Rev	Drawn	Checked	Approved	Date
0	B.S.	S.M.	S.M.	07/21/11
A	B.S.	S.M.	S.M.	02/27/13

SMP TECHNOLOGY, INC.	
RJ45 Coupler, Plastic, Panel Mount, Waterproof, IP67	