

TABLE 1

Code	Cable Length	Tol.
A1	300 mm	±40
A2	500 mm	±40
A3	1000 mm	±50
A4	2000 mm	±100
A5	3000 mm	±150
A6	4000 mm	±200
A7	5000 mm	±250
A8	6000 mm	±300
A9	7000 mm	±350
A0	8000 mm	±400
B1	9000 mm	±450
B2	10,000 mm	±500

* For Other Please Specify

ELECTRICAL:

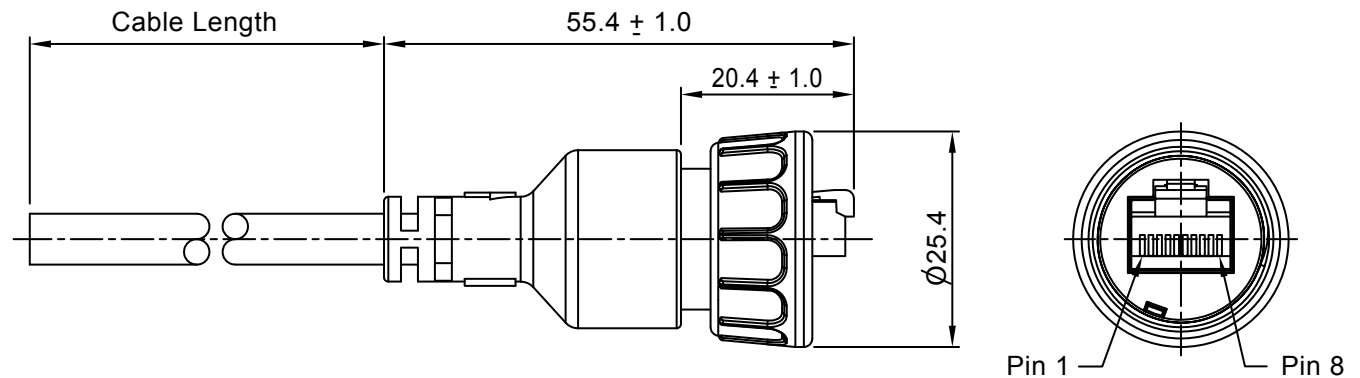
CURRENT RATING: 1.5A Min.
 CONTACT RESISTANCE:
 < 20 Milliohm Max.
 INSULATION RESISTANCE:
 > 500 Megaohm Min.
 DIELECTRIC WITHSTANDING VOLTAGE:
 1000V (rms) AC for 1 Minute
 OPERATING TEMPERATURE: -25° C to +90° C

MATERIAL:

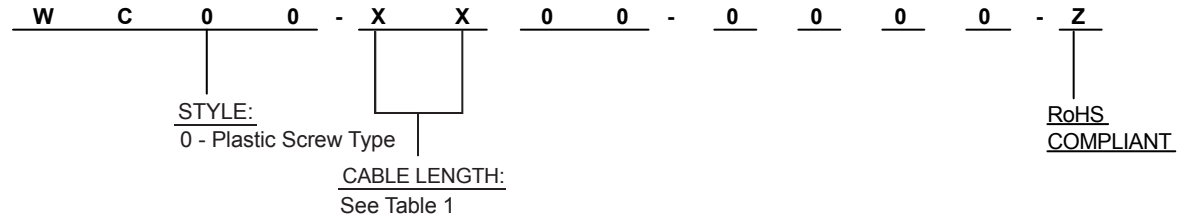
HOUSING: Black Thermal Plastic
 RJ45 RECEPTICAL: Gray Thermal Plastic
 CONTACTS: Copper Alloy, Au Plated Finish
 HEX NUT: Black Thermal Plastic
 GASKET: Black Silicone
 GLUE: Black Epoxy
 SHRINK TUBE: L=10mm Black
 CABLE: CAT5e Gray 24AWG*4P=Al/My=DOD=6.0±02mm
 RJ45 PLUG: Shell: Cold Roll Steel, Ni Plated Finnish
 Housing: Gray Thermal Plastic
 Contacts: Copper Alloy, Au Plated Finnish

MECHANICAL:

DURABILITY: 500 Mating Cycles Min.



HOW TO ORDER:



Rev	Drawn	Checked	Approved	Date
0	B.S.	S.M.	S.M.	07/06/11

SMP TECHNOLOGY, INC.

RJ45 Waterproof Cable, Screw Type Mount