

HOW TO ORDER:
W 6 0 1 - 6 8 1 0 - 2 0 2 X - Z

NUMBER OF POSITIONS: 68

ORIENTATION: 1 - Right Angle

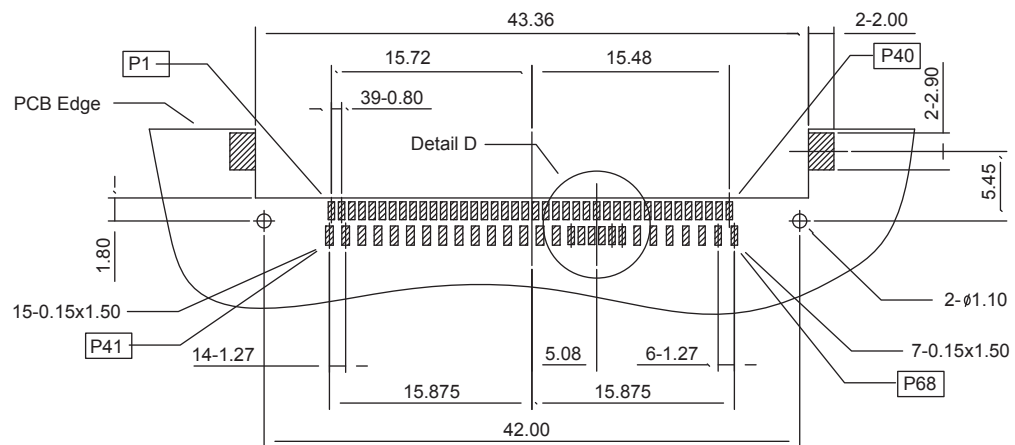
PACKAGING: 2 - Tube

SELECTIVE PLATING:
 0 - Au Flash
 1 - 15u" Au
 2 - 30u" Au

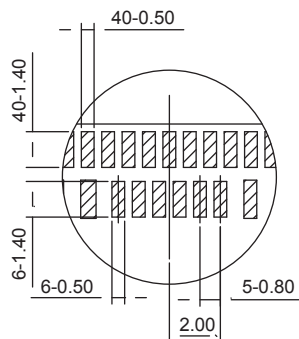
RoHS COMPLIANT

Material:
 Housing : Thermoplastic UL 94V-0; Black
 Contacts: Copper Alloy
 Plating : Specified Gold Thickness in Contact Area
 Matte Tin Plating on Solder Tails
 Nickel Underplated Overall

Rev	Drawn	Checked	Approved	Date	SMP TECHNOLOGY, INC.
0	B.S.	S.M.	S.M.	02/17/17	
SCALE: N/A					U.2 Plug, SFF8639, 68 Position Plug, SMT, 0.75mm Standoff
TOL. DEC.	.X +/- 0.20	.XX +/- 0.15	.XXX +/-	ANGLE +/- 3°	UNIT: mm / in
SERIES: W601-6810-202X-Z					Pg: 1 of 2



RECOMMENDED PCB LAYOUT



DETAIL D

Rev	Drawn	Checked	Approved	Date	SMP TECHNOLOGY, INC.		
0	B.S.	S.M.	S.M.	02/17/17			
SCALE: N/A					U.2 Plug, SFF8639, 68 Position Plug, SMT, 0.75mm Standoff		
TOL. DEC.	.X +/- 0.20	XX +/- 0.15	.XXX +/-	ANGLE +/- 3°	UNIT: mm / in	SERIES: W601-6810-202X-Z	Pg: 2 of 2