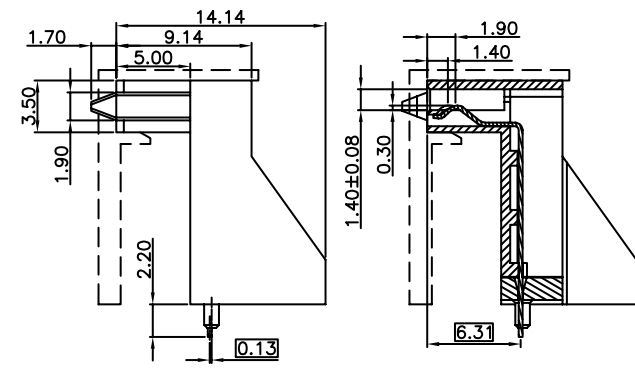


RECOMMENDED PCB LAYOUT



SECTION B-B

ELETRICAL:

CURRENT RATING: 1.5 A
 VOLTAGE RATING: 500 VAC max.
 CONTACT RESISTANCE: 30 mΩ max.
 DIELECTRIC WITHSTANDING VOLTAGE: 500 VAC for 1 min (sea level)
 INSULATION RESISTANCE: 1000 MΩ min.

MATERIAL:

INSULATOR: Thermoplastic - 30% Glass Fiber Reinforced UL94 V-0
 CONTACTS: Copper Alloy
 CONTACT PLATING: Selective Gold Plated on Contact Area Over 50 μ" Min. NI Under Plated 100μ" Min. Tin Plating on Solder Tails

BOARDLOCK: Copper Alloy
 BOARDLOCK PLATING: 5 m" Tin over 50 μ" Nickel

ENVIRONMENTAL:

OPERATING TEMPERATURE : -20°C to 85°C

HOW TO ORDER:

W 3 0 0 - 2 2 1 7 - 3 J X X - Z

SELECTIVE CONTACT PLATING:

1 - 0.127 mm [5 m"] SELECTIVE GOLD PLATING
 3 - 0.381 mm [15 m"] SELECTIVE GOLD PLATING

PACKAGING:

0 - Tube
 1 - Tray
 2 - Tape & Reel

RoHS COMPLIANT

Rev	Drawn	Checked	Approved	Date
0	B.S.	S.M.	S.M.	02/08/12
TOL. DEC.	.X +/- 0.30	.XX +/- 0.25	.XXX +/- 0.13	ANGLE +/- 3° UNIT: mm

SMP TECHNOLOGY, INC.	
SATA, 22 Position, Docking Receptacle, Right Angle, 16.75 mm Height,	
Thru Hole, Top Mount	
P/N: W300-2217-3JXX-Z	Pg: 1