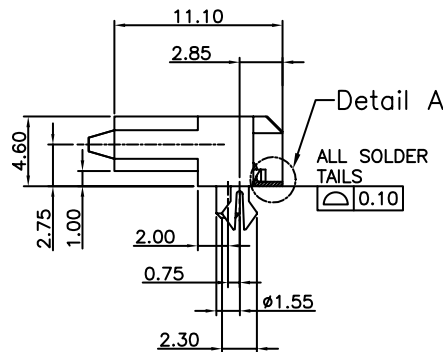
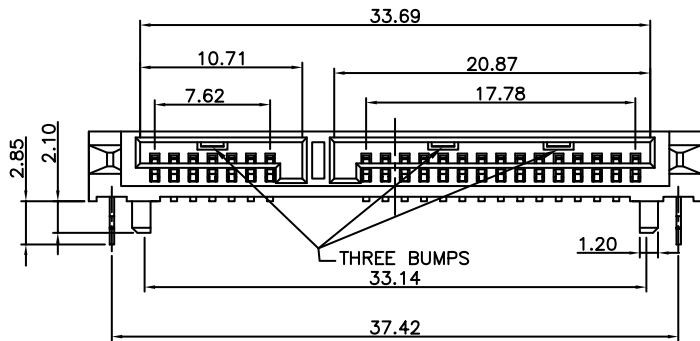


RECOMMENDED PCB LAYOUT



ELETRICAL:

CURRENT RATING: 1.5 A
 VOLTAGE RATING: 500 VAC max.
 CONTACT RESISTANCE: 30 mΩ max.
 DIELECTRIC WITHSTANDING VOLTAGE: 500 VAC for 1 min (sea level)
 INSULATION RESISTANCE: 1000 MΩ min.

MATERIAL:

INSULATOR: Thermoplastic - 30% Glass Fiber Reinforced UL94 V-0
 CONTACTS: Copper Alloy
 CONTACT PLATING: Selective Gold Plated on Contact Area Over 50 μ" Min. NI Under Plated
 100μ" Min. Tin Plating on Solder Tails

BOARDLOCK: Copper Alloy
 BOARDLOCK PLATING: 5 μ" Tin over 50 μ" Nickel

ENVIRONMENTAL:

TEMPERATURE : -55°C to 85°C

HOW TO ORDER:

W 3 0 0 - 2 2 1 1 - 3 8 X X - Z

SELECTIVE CONTACT PLATING:

1 - 0.127 μm [5 μ"] SELECTIVE GOLD PLATING
 3 - 0.381 μm [15 μ"] SELECTIVE GOLD PLATING

PACKAGING:

0 - Tube
 1 - Tray
 2 - Tape & Reel

**RoHS
 COMPLIANT**

Rev	Drawn	Checked	Approved	Date
0 Issued	B.S.	S.M.	S.M.	2/14/07
A Added Detail "A"	B.S.	S.M.	S.M.	3/20/10

SMP TECHNOLOGY, INC.

SATA, 22 Position, Docking Receptacle, Right Angle, 4.6 mm Height,

Surface Mount, Top Mount

SCALE: N/A

TOL. DEC. .X +/- 0.38 .XX +/- 0.25 .XXX +/- 0.13 ANGLE +/- 3° UNIT: mm

P/N: W300-2211-38XX-Z