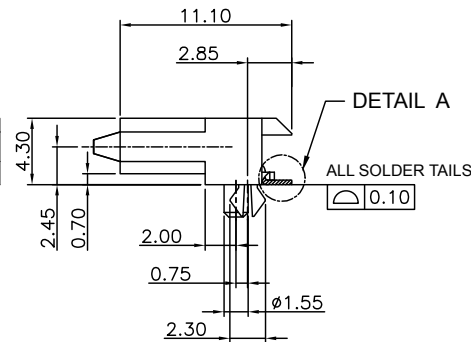
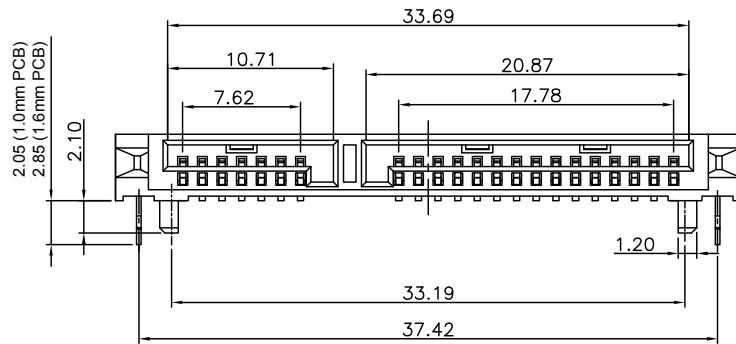


**RECOMMENDED PCB LAYOUT**  
Thickness = 1.0mm & 1.60mm



**ELETRICAL:**

CURRENT RATING: 1.5 A  
 VOLTAGE RATING: 500 VAC max.  
 CONTACT RESISTANCE: 30 mΩ max.  
 DIELECTRIC WITHSTANDING VOLTAGE: 500 VAC for 1 min (sea level)  
 INSULATION RESISTANCE: 1000 MΩ min.

**MATERIAL:**

INSULATOR: Thermoplastic - 30% Glass Fiber Reinforced UL94 V-0  
 CONTACTS: Copper Alloy  
 CONTACT PLATING: Selective Gold Plated on Contact Area Over 50 μ" Min. NI Under Plated  
 100μ" Min. Tin Plating on Solder Tails

BOARDLOCK: Copper Alloy  
 BOARDLOCK PLATING: 5 μ" Tin over 50 μ" Nickel

**ENVIRONMENTAL:**

TEMPERATURE : -55°C to 85°C

**HOW TO ORDER:**

**W 3 0 0 - 2 2 1 1 - 2 K X X - Z**

**SELECTIVE CONTACT PLATING:**

1 - 0.127 μm [5 μ"] SELECTIVE GOLD PLATING  
 3 - 0.381 μm [15 μ"] SELECTIVE GOLD PLATING

**PACKAGING:**

0 - Tube  
 1 - Tray  
 2 - Tape & Reel

**RoHS  
 COMPLIANT**

Rev	Drawn	Checked	Approved	Date
0	B.S.	S.M.	S.M.	03/21/12

**SMP TECHNOLOGY, INC.**

SATA, 22 Position, Docking Receptacle, Right Angle, 4.3 mm Height,  
 Surface Mount

TOL. DEC. .X +/- 0.3 .XX +/- 0.25 .XXX +/- ANGLE +/- 3° UNIT: mm

P/N: W300-2211-2KXX-Z