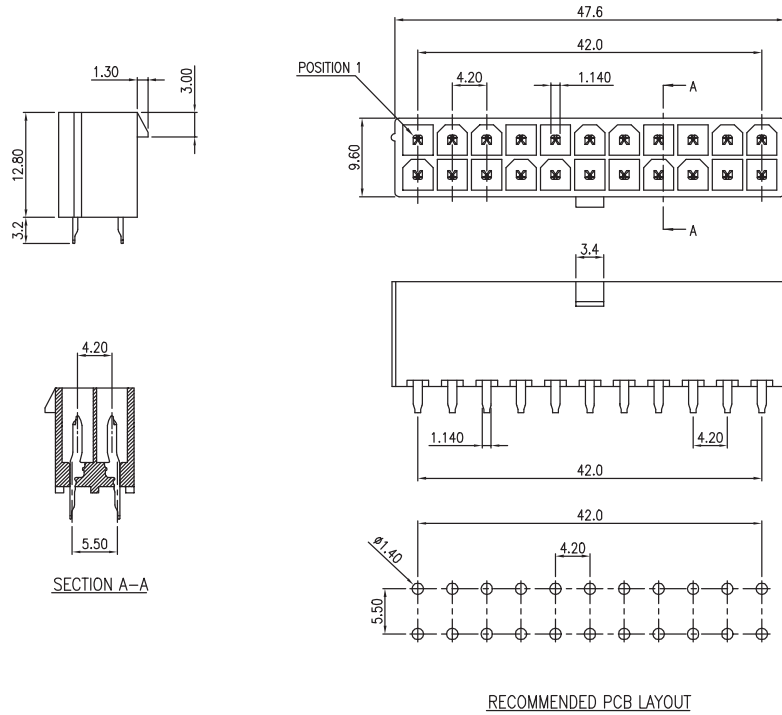
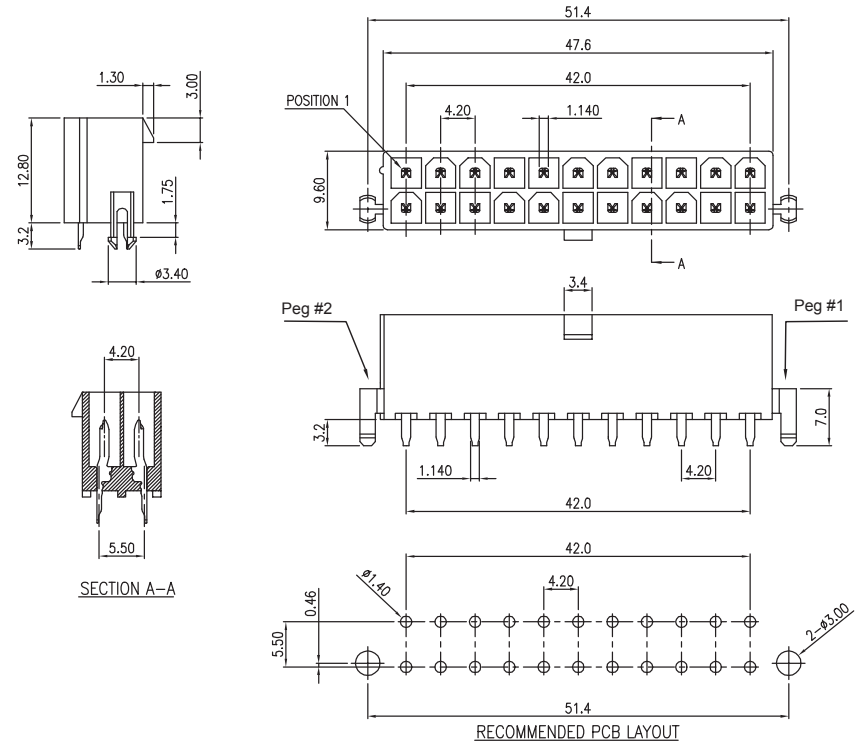


CONNECTOR WITHOUT MOUNTING PIN



CONNECTOR WITH MOUNTING PIN



ELECTRICAL:

VOLTAGE RATING: 250VAC RMS
 CURRENT: 8A
 CONTACT RESISTANCE: 20m ΩMax.
 INSULATOR RESISTANCE: 1000M ΩMin.
 DIELECTRIC WITHSTANDING VOLTAGE: 1500VAC FOR 1 MIN.
 OPERATING TEMPERATURE: -25° C TO +85° C

MATERIAL:

INSULATOR: Glass Re-enforced Thermoplastic
 CONTACT: Copper Alloy
 PLATING: Tin Plated 120u" Min. Over 30 ~ 50u" Nickel Overall

MECHANICAL:

RETENTION FORCE: 1.5 Kgf Min. Per Contact

HOW TO ORDER:

W 0 5 2 - 2 2 0 X - X 0 1 - Z

SERIES:

TYPE NUMBER:

NUMBER OF CONTACTS:
02 Thru 24

VARIATIONS:
1 - UL94V-2
2 - UL94V-0

PLATING OVERALL:

- 1 - FULL TIN OVER NICKEL
- 2 - FULL Au FLASH

SELECTIVE PLATING:

- 0 - Au FLASH CONTACT AREA/TIN TAIL
- 3 - 15u" Au CONTACT AREA/TIN TAIL
- 4 - 30u" Au CONTACT AREA/TIN TAIL

MOUNTING OPTION:

- 1 - W/ PEG
- 2 - W/OUT PEG
- 3 - W/ PEG #1 (right)
- 4 - W/ PEG #2 (left)

RoHS COMPLIANT

Rev		Apv.	Date	SMP TECHNOLOGY, INC.	
0	Issued	S.E.	9/15/99		
A	Revised for RoHS Compliance	G.T.	11/03/05		
				Power Connector; 4.2mm Pitch; With and Without Mounting Peg	
SCALE	MAT'L	FINISH		22 Position	
TOL. DEC.	.X +/- 0.35	.XX +/- 0.25	.XXX +/-	ANGLE +/-	UNIT: mm / in
				SERIES: W 052-220X-X01-Z	Pg: 1