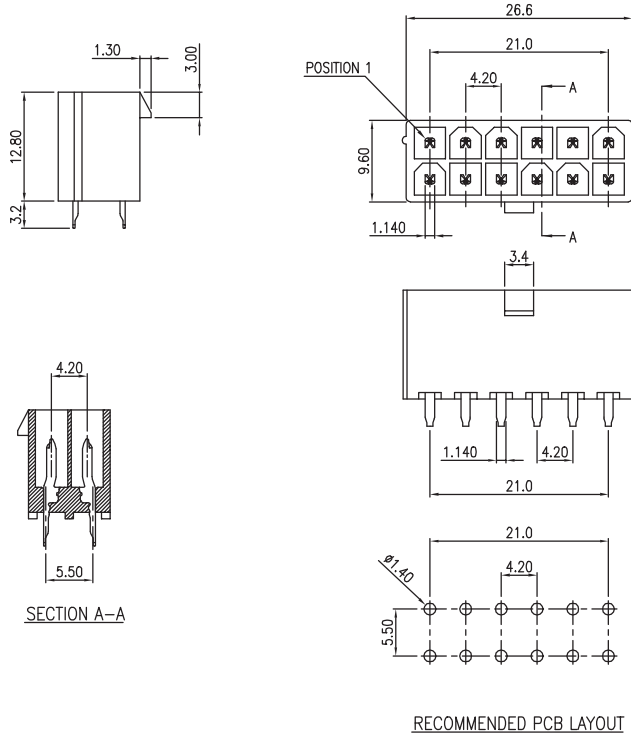
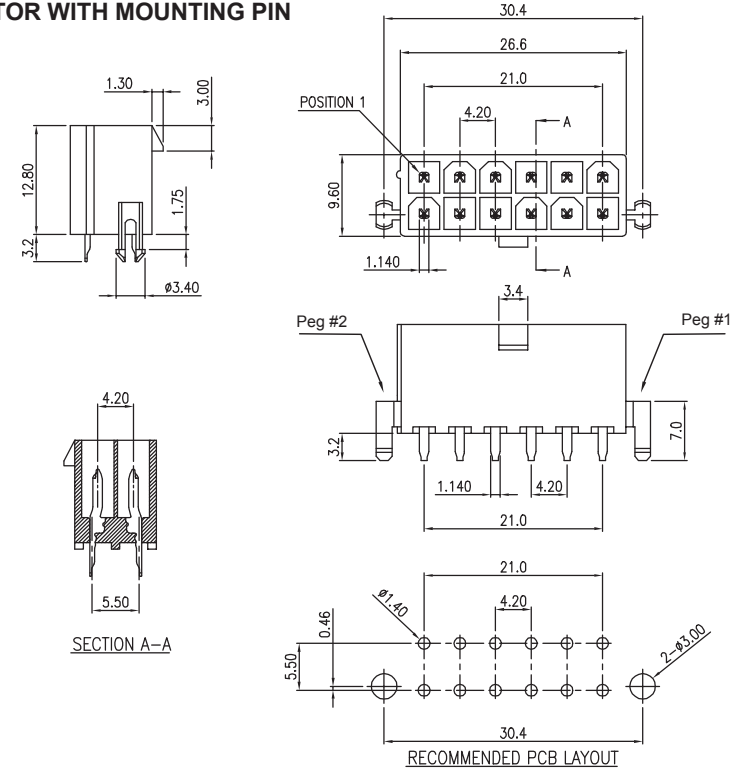


**CONNECTOR WITHOUT MOUNTING PIN**



**CONNECTOR WITH MOUNTING PIN**



**ELECTRICAL:**

VOLTAGE RATING: 250VAC RMS  
 CURRENT: 8A  
 CONTACT RESISTANCE: 20m ΩMax.  
 INSULATOR RESISTANCE: 1000M ΩMin.  
 DIELECTRIC WITHSTANDING VOLTAGE: 1500VAC FOR 1 MIN.  
 OPERATING TEMPERATURE: -25° C TO +85° C

**MATERIAL:**

INSULATOR: Glass Re-enforced Thermoplastic  
 CONTACT: Copper Alloy  
 PLATING: Tin Plated 120u" Min. Over 30 ~ 50u" Nickel Overall

**MECHANICAL:**

RETENTION FORCE: 1.5 Kgf Min. Per Contact

**HOW TO ORDER:**

**W 0 5 2 - 1 2 0 X - X 0 1 - Z**

**SERIES:**

**TYPE NUMBER:**

**NUMBER OF CONTACTS:**

02 Thru 24

**VARIATIONS:**

- 1 - UL94V-2
- 2 - UL94V-0

**MOUNTING OPTION:**

- 1 - W/ PEG
- 2 - W/OUT PEG
- 3 - W/ PEG #1 (right)
- 4 - W/ PEG #2 (left)

**PLATING OVERALL:**

- 1 - FULL TIN OVER NICKEL
- 2 - FULL Au FLASH

**SELECTIVE PLATING:**

- 0 - Au FLASH CONTACT AREA/TIN TAIL
- 3 - 15u" Au CONTACT AREA/TIN TAIL
- 4 - 30u" Au CONTACT AREA/TIN TAIL

**RoHS COMPLIANT**

Rev		Apv.	Date
0	Issued	S.E.	9/15/99
A	Revised for RoHS Compliance	G.T.	11/03/05
SCALE	MAT'L	FINISH	12 Position
TOL. DEC.	.X +/- 0.35	.XX +/- 0.25	.XXX +/-
		ANGLE +/-	UNIT: mm / in

<b>SMP TECHNOLOGY, INC.</b>	
Power Connector; 4.2mm Pitch; With and Without Mounting Peg	
12 Position	
SERIES: W 052-120X-X01-Z	Pg: 1