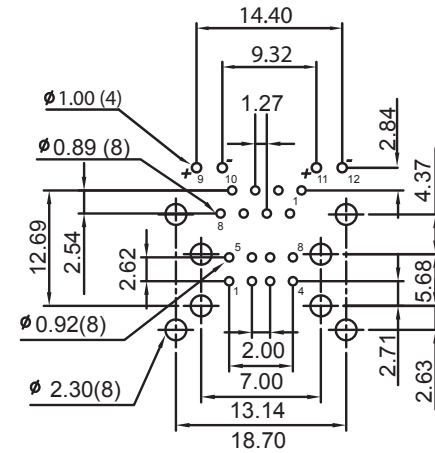
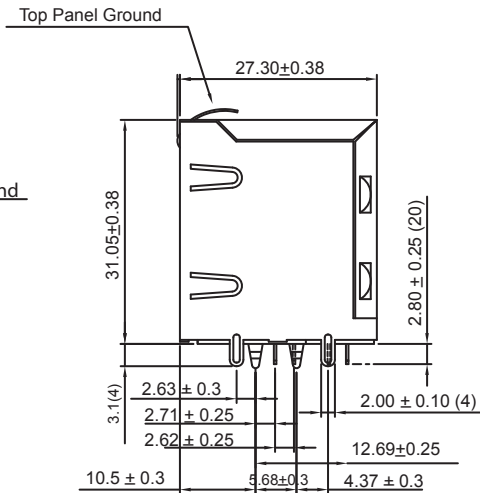


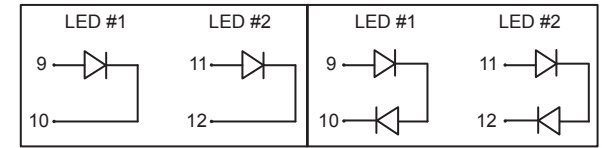
MECHANICAL:
 DURABILITY: 750 Mating Cycles Min.
 OPERATING TEMPERATURE: 0°C to +90°C

RJ45 SPECIFICATION:
 CURRENT RATING: 1.5A Max.
 CONTACT RESISTANCE: 30 milliohm Max.
 INSULATION RESISTANCE: 500 Megaohm Min.
 DIELECTRIC WITHSTANDING VOLTAGE:
 500 VAC 60 Hz. 1 Min.
 INSULATOR: Nylon 46(UL94V-)
 COLOR: Black
 CONTACT: .35 mm Spring Wire Phos-Bronze
 PLATING: Specified Gold Thickness in Contact Area;
 Au Flash on Solder Tail; All over 50u" Nickel Subplate

USB SPECIFICATION:
 CURRENT RATING: 1.0A Max.
 CONTACT RESISTANCE: 30 milliohm Max.
 INSULATION RESISTANCE: 1000 Mohm Min.@500 VDC
 DIELECTRIC WITHSTANDING VOLTAGE:
 500 VAC rms 60 Sec.
 INSULATOR: Nylon 46(UL94V-)
 COLOR: Black
 CONTACT: Copper Alloy
 PLATING: Specified Gold Thickness in Contact Area;
 Tin plating on Solder Tail; All over 50u" Nickel Subplate



Recommended PCB Layout



Single Color LED

Bi-Color LED

HOW TO ORDER:

U A 0 0 - 0 0 0 0 - X X X - Z

USB CONNECTOR:
 0 - STANDARD 8Pos

RJ-45 CONNECTOR:
 0 - STANDARD (8P8C) CHOOSE OPTION FROM TABLE

LED 1: LED 2:

LED OPTION TABLE:

OPTION	FORWARD	REVERSE
G	GREEN	---
Y	YELLOW	---
1	GREEN	ORANGE
2	YELLOW	ORANGE
3	GREEN	RED
4	YELLOW	RED

RoHS COMPLIANT

SELECTIVE PLATING:
 6 - Au FLASH CONTACT AREA
 7 - 10u" Au CONTACT AREA
 8 - 15u" Au CONTACT AREA
 9 - 30u" Au CONTACT AREA

TAB OPTION:
 0 - With EMI SPRING TABS

Rev	Drawn	Checked	Approved	Date
0	A.M.	S.M.	S.M.	04/08/03
A	B.S.	S.M.	S.M.	3/21/07
B	B.S.	S.M.	S.M.	12/04/13
C	B.S.	S.M.	S.M.	05/07/15
D	B.S.	S.M.	S.M.	01/21/16

SMP TECHNOLOGY, INC.

Combo Jack; USB + RJ45, Shielded, w/LED, Side Entry, With EMI Tabs

SCALE: n/a
 TOL. DEC. .X +/- 0.25 .XX +/- 0.13 .XXX +/- 0.05 ANGLE +/- 0°.30' UNIT: mm

P/N: UA00-0000-XXX-Z