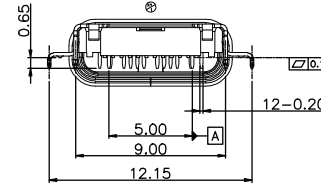
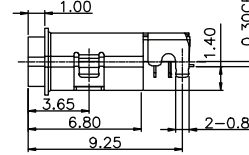
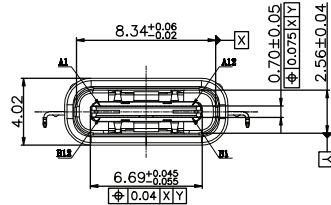
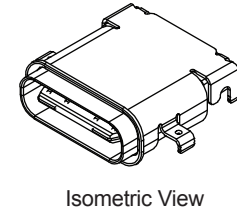
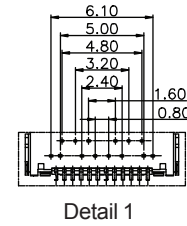
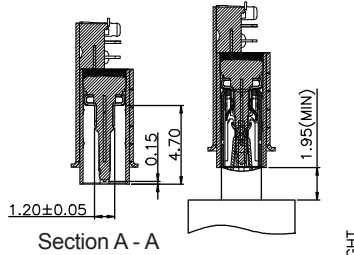
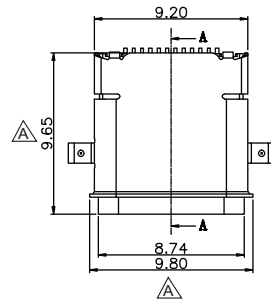


| Pin | Signal Name | Mating Sequence | Pin | Signal Name | Mating Sequence |
|-------|-------------|-----------------|-----|-------------|-----------------|
| A1 | GND | First | B12 | GND | First |
| A3 | SSTXp1 | Second | B11 | SSRXp1 | Second |
| A4 | SSTXn1 | Second | B10 | SSRXn1 | Second |
| A5 | VBUS | First | B9 | VBUS | First |
| A6 | CC1 | Second | B8 | SBU2 | Second |
| A7 | Dp1 | Second | B7 | Dn2 | Second |
| A8 | Dn1 | Second | B6 | Dp2 | Second |
| A9 | SBU1 | Second | B5 | CC2 | Second |
| A10 | VBUS | First | B4 | VBUS | First |
| A11 | SSRXn2 | Second | B3 | SSTXn2 | Second |
| A12 | SSTXp2 | Second | B2 | SSTXp2 | Second |
| A13 | GND | First | B1 | GND | First |
| SHELL | GND | SHELL | GND | SHELL | GND |



WATERPROOF RATING

IP-X7

ELECTRICAL:

CURRENT RATING:

5A (VBUS Pin 1.5A/Pin)

5A (GND Pin 1.25A/Pin Max) 0.25A/Pin (Other Ping)

CONTACT RESISTANCE:

< 40 milliohm Max.

INSULATION RESISTANCE:

> 100 Mgeaohm Min.

DIELECTRIC WITHSTANDING VOLTAGE:

100 VAC for 1 Minute

OPERATING TEMPERATURE: - 40° C ~ 80° C

MATERIAL:

INSULATOR: High Temperature Plastic, UL94V-0

CONTACTS: Copper Alloy

CONTACT PLATING:

Gold Plating over 50u" Nickel on Contact Area,

100u" Tin/ Plating over 50u" Nickel on Solder Area

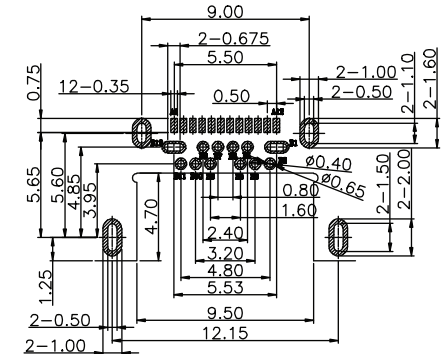
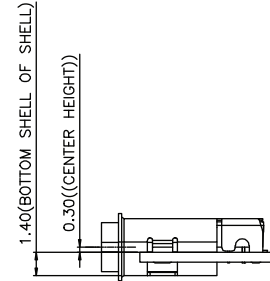
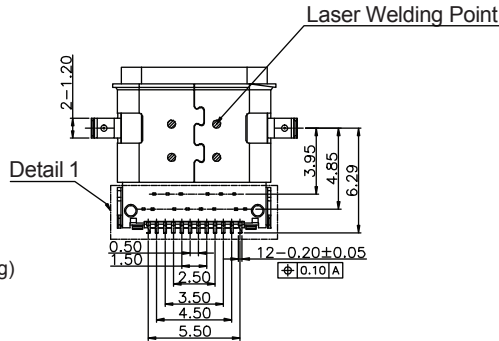
SHELL: Stainless Steel with 50u" Nickel Plating

Mechanical:

INSERTION FORCE: 5 ~ 20N Max.

WITHDRAWAL FORCE: 8 ~ 20N Kg

DURABILITY: 10,000 Cycles



HOW TO ORDER:

U 0 4 5 - 0 4 1 5 - 4 0 X X - Z

Insulator Color

0 - Black

BODY STYLE

4 - Female Right Angle
Waterproof

OF POSITIONS

04 - 24 Position
Straddle PCB

MOUNTING STYLE

15 - Right Angle, Combo
SMT & SMT Mid
Mount, 9.74mm(W) x10.65mm (L)
2.00mm Offset

CONTACT AREA PLATING

0 - 4u" Au
1 - 7u" Au
2 - 10u" Au
3 - 15u" Au
4 - 30u" Au

PACKAGING

0 - Tray
2 - Tape & Reel

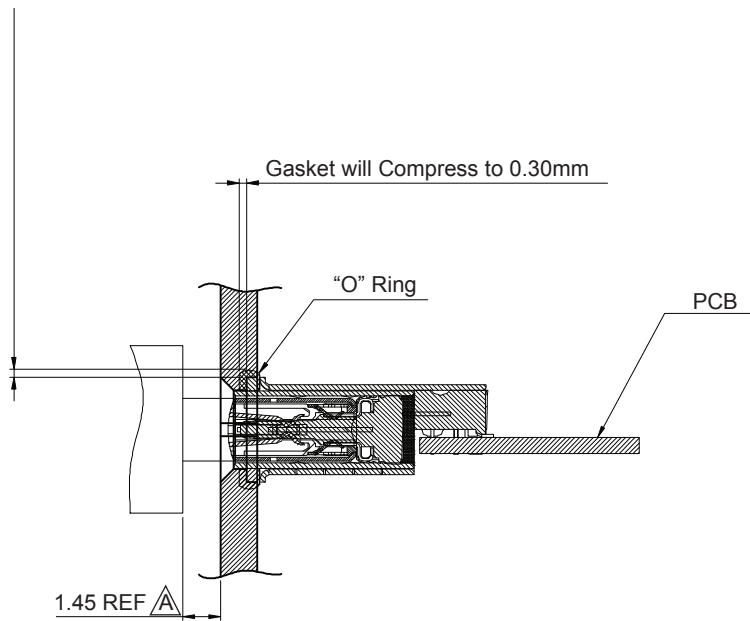
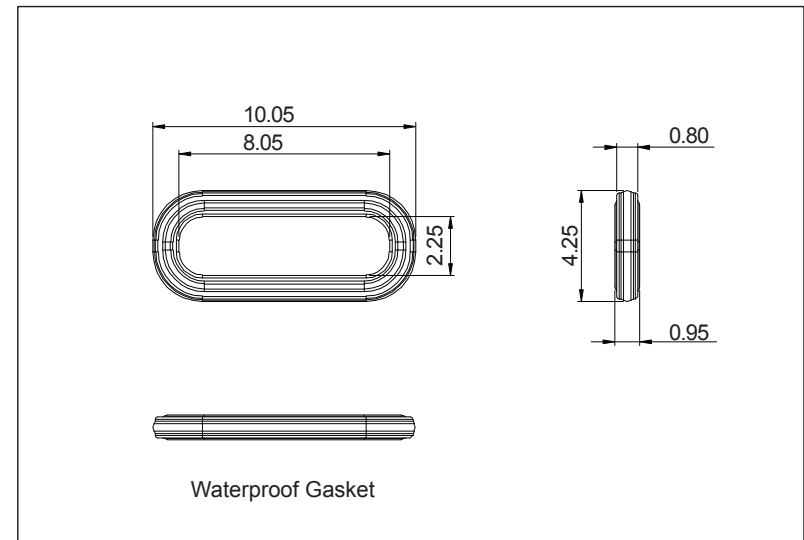
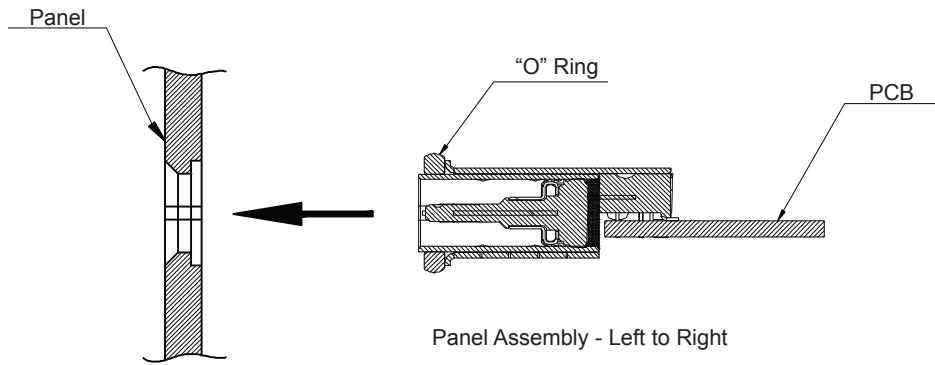
RoHS COMPLIANT

| Rev | Drawn | Checked | Approved | Date |
|-----------|-------|---------|----------|----------|
| 0 Issued | B.S. | S.M. | S.M. | 06/22/17 |
| A Revised | B.S. | S.M. | S.M. | 08/09/18 |

| | |
|---|--|
| SMP TECHNOLOGY, INC. | |
| USB 3.1 Type C, Female, 24 Position, Mid Mount, Waterproof, IP-X7 | |

SCALE :N/A
TOL. DEC. .X +/- 0.30 .XX +/- 0.20 .XXX +/- 0.10 UNIT: mm

SERIES: U045-0415-40XX-Z Pg: 1 of 2



| | |
|---|------------|
| SMP TECHNOLOGY, INC. | |
| USB 3.1 Type C, Female, 24 Position, Mid Mount, Waterproof, IP-X7 | |
| | |
| SERIES: U045-0415-40XX-Z | Pg: 2 of 2 |