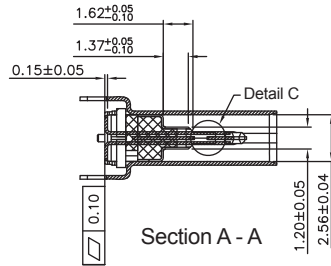
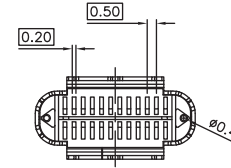
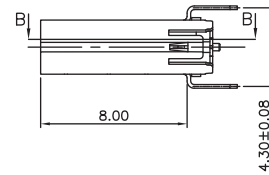
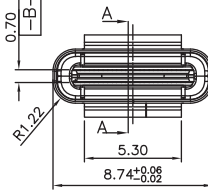
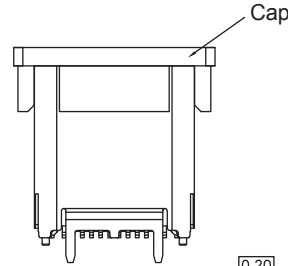
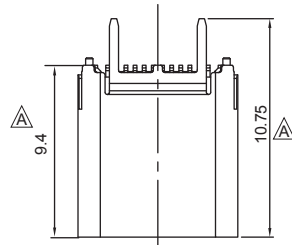


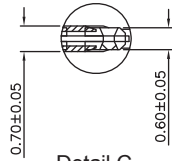
Isometric View



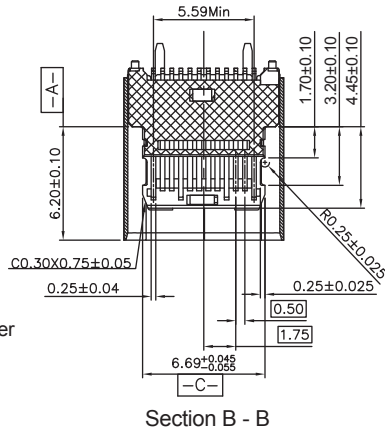
Section A - A



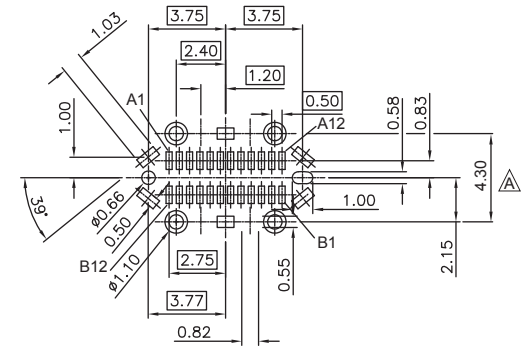
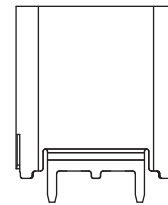
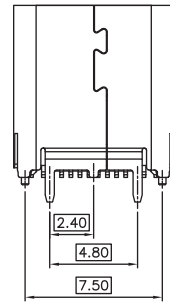
Pin	Signal Name	Mating Sequence	Pin	Signal Name	Mating Sequence
A1	GND	First	B12	GND	First
A2	TX1+	Second	B11	RX1+	Second
A3	TX1-	Second	B10	RX1-	Second
A4	VBUS	First	B9	VBUS	First
A5	CC1	Second	B8	SBU2	Second
A6	D+	Second	B7	D-	Second
A7	D-	Second	B6	D+	Second
A8	SBU1	Second	B5	CC2	Second
A9	VBUS	First	B4	VBUS	First
A10	RX2-	Second	B3	TX2-	Second
A11	RX2+	Second	B2	TX2+	Second
A12	GND	First	B1	GND	First
SHELL	GND		SHELL	GND	



Detail C



Section B - B



Recommended PCB Layout

ELECTRICAL:

CURRENT RATING: 5A Min. for VBUS,
1.25A Min. for Other

CONTACT RESISTANCE:
40 milliohm Max.

INSULATION RESISTANCE:
100 Mgeaohm Min.

DIELECTRIC WITHSTANDING VOLTAGE:
100 VAC for 1 Minute

OPERATING TEMPERATURE: - 55° C ~ 85° C

MATERIAL:

INSULATOR: LCP, UL94V-0

CONTACTS: Copper Alloy

CONTACT PLATING:

Gold Plating over 50u" Nickel on Contact Area,
100u" Tin/ Plating over 50u" Nickel on Solder Area

SHELL: Stainless Steel with 50u" Nickel Plating

Mechanical:

INSERTION FORCE: 5 ~ 20N Max.

WITHDRAWAL FORCE: 8 ~ 20N Kg

DURABILITY: 10,000 Cycles

HOW TO ORDER:

U 0 2 5 - 0 2 0 9 - 0 0 X X - Z

BODY STYLE

2 - Female Straight

OF POSITIONS

02 - 24 Position SMT

MOUNTING STYLE

09 - Surface Mount Vertical
Type 2, with 1 SMT Shell Point,
9.3mm Height

CONTACT AREA PLATING

0 - 4u" Au
1 - 7u" Au
2 - 10u" Au
3 - 15u" Au
4 - 30u" Au

PACKAGING

0 - Tray
2 - Tape & Reel

RoHS COMPLIANT

Insulator Color

0 - Black

Rev	Drawn	Checked	Approved	Date
0	B.S.	S.M.	S.M.	07/28/16
A	B.S.	S.M.	S.M.	01/09/20

SMP TECHNOLOGY, INC.

USB 3.1 Receptacle, Surface Mount Vertical, Type 2, with SMT (1) Shell Point
9.3mm Height

SCALE :N/A

TOL. DEC. .X +/- 0.30 .XX +/- 0.25 .XXX +/- 0.10

UNIT: mm

SERIES: U025-0209-00XX-Z

Pg: 1