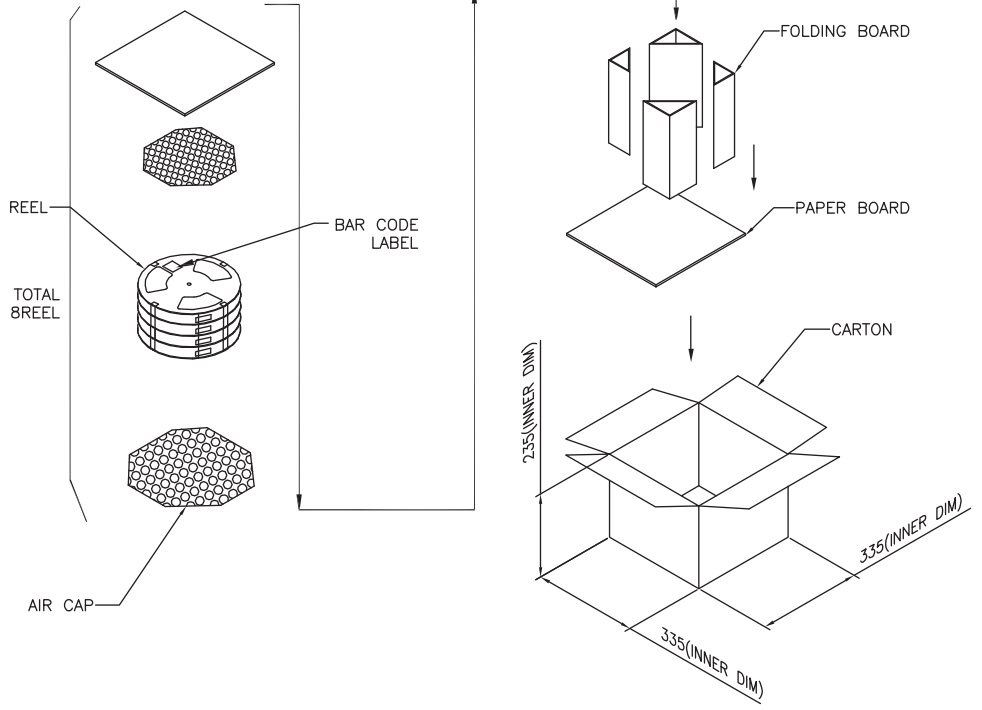


- NOTES:(FOR REEL)
 PRODUCT MUST MEET CONTROLLED SUBSTANCES SPEC. ROHS 2.0
 PACKAGING MATERIAL IN PLASTIC, RUBER, INK, PIGMENT AND PAINT
 MUST MEET CONTROLLED SUBSTANCES SPEC PER 230-702.
 * CADMIUM AND CADMIUM COMPOUNDS NOT TO EXCEED: 5 PPM.
 * LED, CADMIUM, CHROM VI AND MERCURY NOT TO EXCEED: 100 PPM(COMBINED).
 * CARRIER TAPES, COVER TAPES, REELS AND TAPED COMPONENTS MUST MEET THE
 REQUIREMENTS DEFINED PER EIA-481-B.
- MATERIAL:
 COVER TAPE: ANTISTATIC P.S T=0.05±0.01; COLOR: CLEAR
 CARRIER TAPE: ANTISTATIC P.S T=0.40mm ±0.05 , COLOR: WHITE
 REEL: PS UL94V-0
 SHIPPING BOX: CORRUGATED FIBER
 - DIMENSION:
 REEL: SEE DRAWING
 BOX: SEE DRAWING
 - QUANTITY: SEE TABLE
 - WEIGHT: SEE TABLE
 - PEELING RESISTANCE: 10gf~130gf (for 12~56mm)
 - PEELING SPEED: 300mm/MINUTES

350	6	2100
PCS/REEL	REEL/BOX	PCS/BOX



Rev	Drawn	Checked	Approved	Date
0	B.S.	S.M.	S.M.	01/05/17

SMP TECHNOLOGY, INC.

Packaging