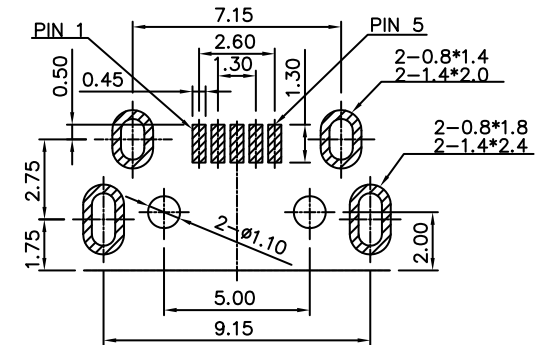
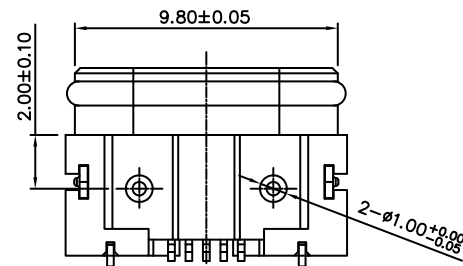
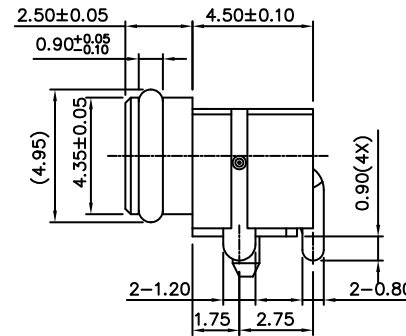
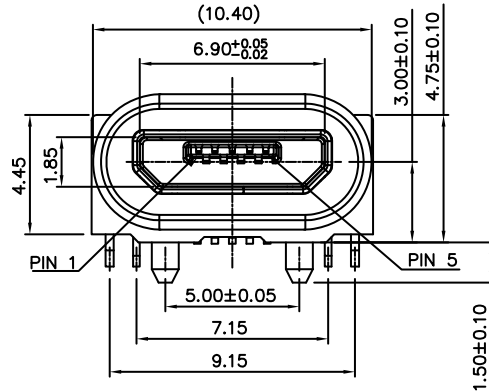
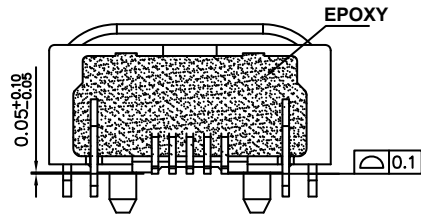


ISOMETRIC VIEW



RECOMMENDED PCB LAYOUT (TOP VIEW)

ELECTRICAL:

VOLTAGE RATING: 30 VDC
 CURRENT RATING: 1.8 AMP Pins 1,5; 0.5 AMP Pins 2,3,4
 DIELECTRIC STRENGTH: 500 AC RMS for 1 Minute
 INSULATION RESISTANCE: 1000 MΩ Min. at 500 VDC
 CONTACT RESISTANCE: 30 mΩ Max.

MATERIALS:

HOUSING: High Temperature Thermoplastic, UL94-VO; LCP
 COLOR: Black
 CONTACTS: Copper Alloy; Selective Gold Plating in Contact Area; Tin Plating on Tail section
 Over 50u" Nickel
 SHELL: Stainless Steel ; Nickel Plated
 TEMPERATURE RANGE: -40°C to +85°C

HOW TO ORDER:

U 0 0 4 - 0 3 6 1 - 0 5 X X - Z

OF POSITIONS:
 03 - 5 Position Female, SMT Waterproof

INSULATOR COLOR:
 1- Black

CONTACT AREA PLATING
 0 - 7μ" Au
 1 - 15μ" Au
 2 - 30μ" Au
 3 - 50μ" Au
 4 - 3u" Au

PACKAGING
 0 - Tape & Reel
 3 - Tube

RoHS COMPLIANT

Rev	Drawn	Checked	Approved	Date
0	B.S.	S.M.	S.M.	05/11/17

SMP TECHNOLOGY, INC.

Micro USB Type B , 5 Position, Female , Waterproof, Horizontal

SCALE: N/A

Surface Mount, PC Tail w/ (4)Thru Hole Shell Mounting Pegs

Tolerance : Dimension .X +/- 0.30 .XX +/- 0.20 .XXX +/- 0.10

SERIES: U004-0361-05XX-Z