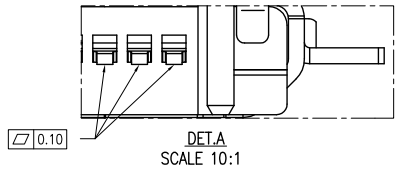
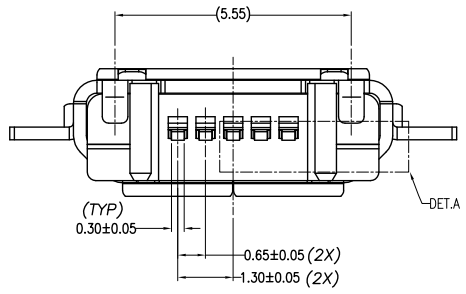
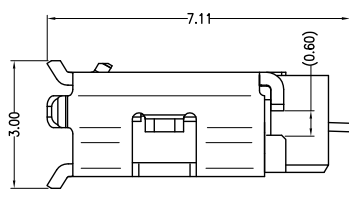
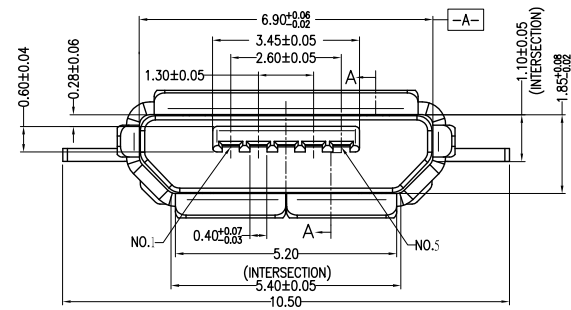


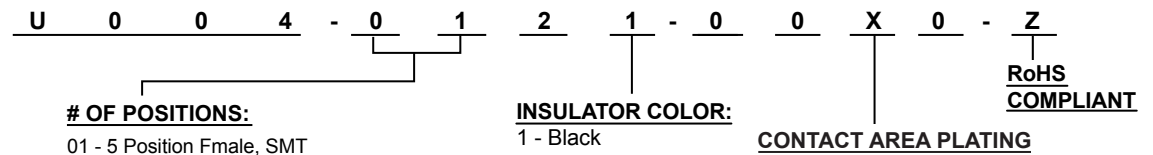
PCB LAYOUT  
COMPONENT SIDE TOLERANCE:±0.05 T=0.80



**ELECTRICAL:**  
 VOLTAGE RATING: 5V AC  
 CURRENT RATING: 1.5 AMP  
 DIELECTRIC STRENGTH: 100V AC  
 INSULATION RESISTANCE: 100 MΩ Min.  
 CONTACT RESISTANCE: 30 mΩ Max.

**MATERIALS:**  
 HOUSING: High Temperature Thermoplastic UL94-VO  
 COLOR: Black  
 CONTACTS: Copper Alloy  
 SHELL: Steel  
 TEMPERATURE RANGE: -30°C to +85°C

**HOW TO ORDER:**



Rev	Drawn	Checked	Approved	Date
0	B.S.	S.M.	S.M.	04/10/08

**SMP TECHNOLOGY, INC.**

Micro USB, 5 Position, Receptacle, Edge Mount

Tolerance : Dimension +/- 0.30 mm  
 Angle +/-3°

SERIES: U004-0121-00X0-Z