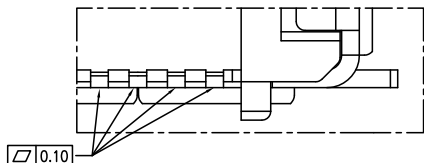
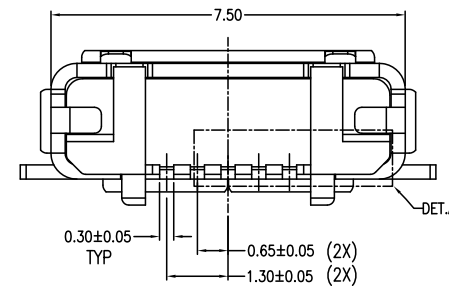
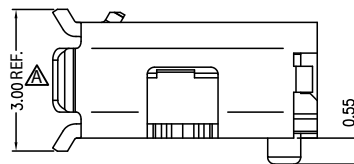
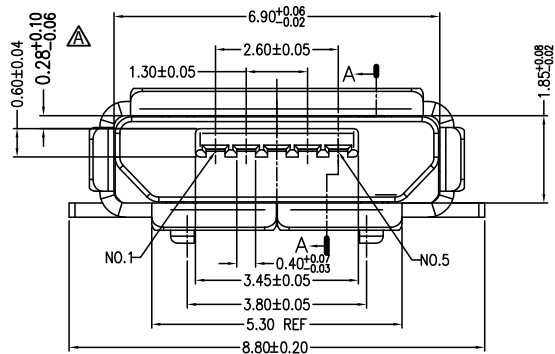


COMPONENT SIDER TOLERANCE: ±0.05



ELECTRICAL:

VOLTAGE RATING: 5V AC
 CURRENT RATING: 1.5 AMP
 DIELECTRIC STRENGTH: 100V AC
 INSULATION RESISTANCE: 100 MΩ Min.
 CONTACT RESISTANCE: 30 mΩ Max.

MATERIALS:

HOUSING: High Temperature Thermoplastic UL94-V0
 COLOR: Black
 CONTACTS: Copper Alloy
 SHELL: Steel
 TEMPERATURE RANGE: -30°C to +85°C

HOW TO ORDER:

U 0 0 4 - 0 1 1 2 - 0 1 X 0 - Z

OF POSITIONS:
 01 - 5 Position Fmale, SMT

INSULATOR COLOR:
 2 - Grey

CONTACT AREA PLATING
 0 - 7μ" Au
 1 - 15μ" Au
 2 - 30μ" Au

RoHS COMPLIANT

Rev	Drawn	Checked	Approved	Date
0	B.S.	S.M.	S.M.	04/10/08
A	B.S.	S.M.	S.M.	01/26/10
B	B.S.	S.M.	S.M.	07/09/14

SMP TECHNOLOGY, INC.

Micro USB, 5 Position, Receptacle, Surface Mount

Tolerance : Dimension +/- 0.20 mm
 Angle +/- 3°

SERIES: U004-0112-01X0-Z