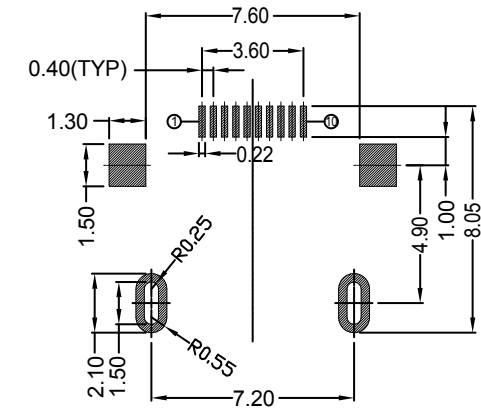
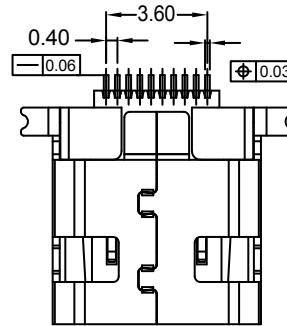
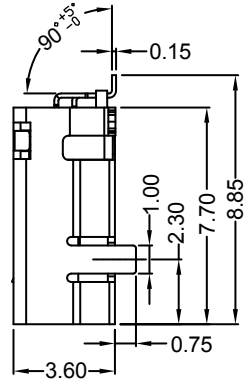
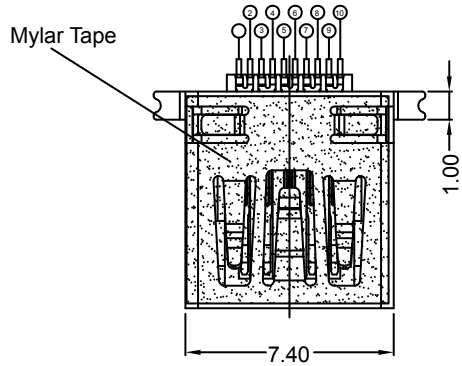
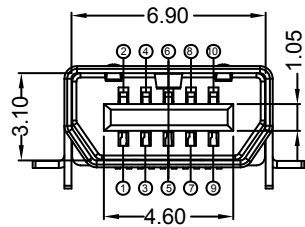


Isometric View



Recommended PCB Layout



HOW TO ORDER:

U 0 0 3 - T 0 F 0 - 2 7 X - Z X

SELECTIVE CONTACT PLATING

- 1 - Au Flash
- 2 30u" Au Over Ni

RoHS COMPLIANT

PACKAGING

- 1- Tray
- 2- Tube w/out Cap
- 4 - T/R w/out Cap

MATERIAL:

Housing: LCP+30% Glass Filled, Black
 Shell: Stainless Steel, Tin Plated
 Terminal: Copper Alloy

ELECTRICAL:

Signal Contact Current Rating: .30 AMPS
 Signal Contact Resistance: 50 milliohms Max.
 Dielectric Withstanding Voltage: 100 VAC
 Insulation Resistance: 100 Megaohms Min.
 Operating Temperature Range : -30°C ~ 80°C

Rev	Drawn	Checked	Approved	Date
0 Issued	B.S.	S.M.	S.M.	02/27/13
A Drawing Update	B.S.	S.M.	S.M.	01/08/20

SMP TECHNOLOGY, INC.

Mini USB Receptacle; Right Angle; 10 Position; Surface Mount

Scale: N/A
 TOL. DEC. .X +/- 0.3 .XX +/- 0.25 .XXX +/- 0.15 ANGLE +/- 2° UNIT: mm

U003-T0F0-27X-ZX