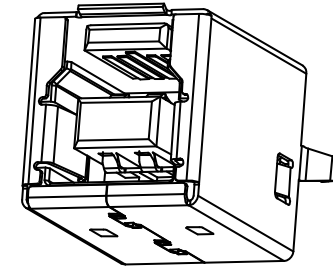
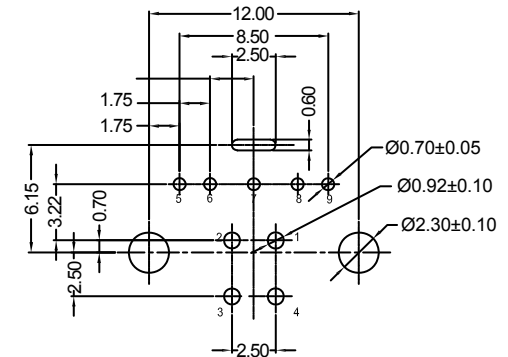
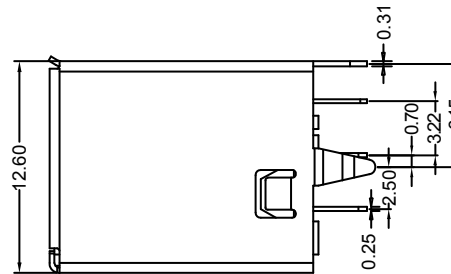
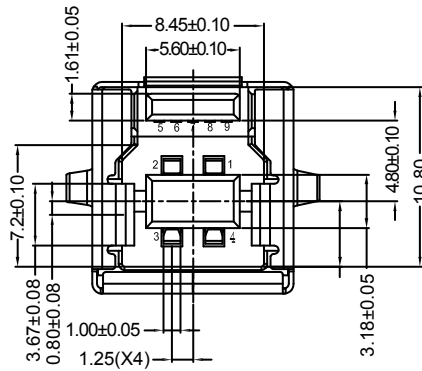


MATERIAL:

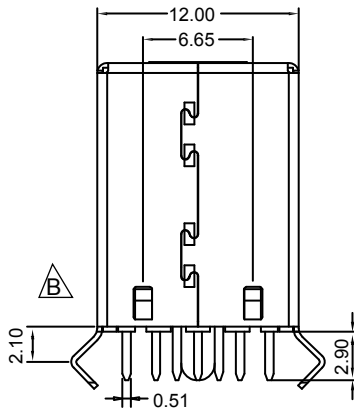
INSULATOR: Thermoplastic 30% Glass Filled, UL94V0
 Blue (Pantone 300C)
 CONTACTS: Phosphor Bronze
 CONTACT PLATING:
 Selective Gold Plating over Nickel on Contact Area,
 Tin Plating on Terminal
 SHELL: Copper Alloy
 SHELL PLATING: Nickel



ISOMETRIC VIEW



RECOMMENDED PCB LAYOUT



HOW TO ORDER:

U 0 0 2 - 0 9 1 2 - 1 4 X - Z X

NUMBER OF POSITIONS:
 09- 09 Positions (USB 3.0)

INSULATOR COLOR:
 2 - Blue (Pantone 300C)

ORIENTATION:
 1 - Vertical Thru Hole

SHELL STYLE
 1 -No Spring Tabs

SELECTIVE CONTACT PLATING
 1 - Gold Flash
 3 - 15u" Gold
 4 - 30u" Gold

RoHS COMPLIANT

PACKAGING
 Blank - Tray
 1 - Tape & Reel
 2 - Tube

Rev	Drawn	Checked	Approved	Date
0	B.S.	S.M.	S.M.	09/23/10
A	B.S.	S.M.	S.M.	01/24/14
B	B.S.	S.M.	S.M.	02/15/18

SMP TECHNOLOGY, INC.

USB 3.0 Connector, B Type, Female, 9 Position, Blue Insulator