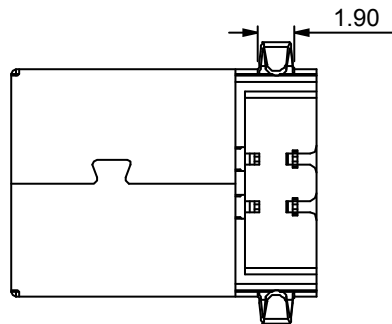


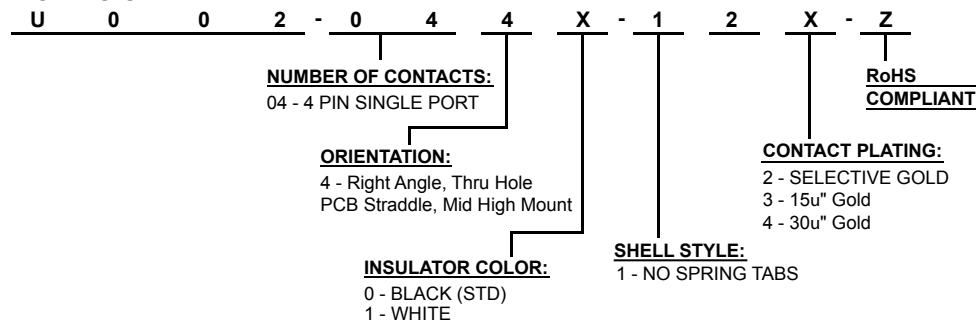
COMPONENT SIDE
PCB LAYOUT



ELECTRICAL:

CURRENT RATING: 1.5A At 250VAC Minimum
 CONTACT RESISTANCE: 30 Ohm Max.
 INSULATION RESISTANCE: 1000 Ohm Min. at 500VDC
 DIELECTRIC WITHSTANDING VOLTAGE: 750V AC (rms) for 1 Minute
 DURABILITY (LIFE TEST): 1500 Cycles
 INSERTION FORCE: 35 Newton Maximum
 EXTRACTION FORCE: 10 Newton Minimum

HOW TO ORDER:



Rev	Description	Drawn	Checked	Approved	Date
0	Issued	WHS	S.M.	S.M.	6/08/06
A	Revised Tolerances	B.S.	S.M.	S.M.	12/16/10

SMP TECHNOLOGY, INC.

USB Connector 4 Pin, Type B, Thru Hole, PCB Straddle
Mid High Mount