

PCB EDGE
(COMPONENT SIDE)
PCB LAYOUT

ELECTRICAL:

CURRENT RATING: 1.5A
 CONTACT RESISTANCE:
 < 30 Milliohm Max.
 INSULATION RESISTANCE:
 > 1000 Megaohm Min. at 500DC
 DIELECTRIC WITHSTANDING VOLTAGE:
 500V (rms) AC for 1 Minute
 OPERATING TEMPERATURE: -40°C to +85°C

MATERIAL:

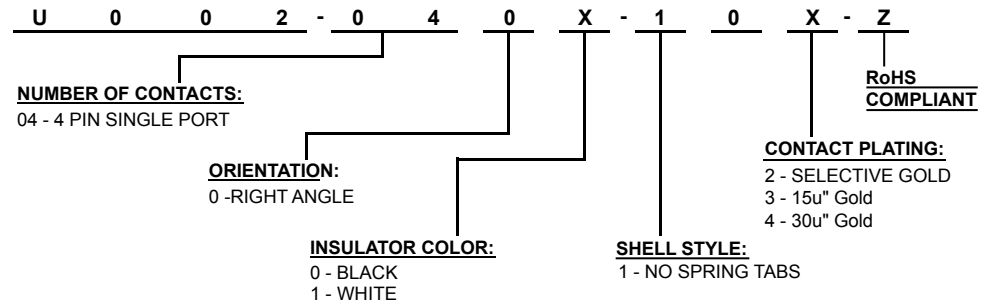
INSULATOR: PBT (30% Glass Filled)
 CONTACTS: Copper Alloy
 CONTACT PLATING: Gold Plating over Nickel on Contact Area,
 Tin Plating over Nickel on PCB Tail

SHELL: Copper Alloy
 SHELL PLATING: Nickel 80-120µ"

MECHANICAL

MAX PROCESS TEMP: 230°C for 30~60 Seconds
 260°C for 10 Seconds

HOW TO ORDER:



Rev	Description	Apv.	Date	SMP TECHNOLOGY, INC. USB Connector 4 Pin, Type B, Right Angle, Single Port, Thru Hole	
0	Issued	S.E.	10/1/97		
A	Revised	D.H.	7/20/04		
B	Revised for RoHS Compliance	WHS	6/08/06		
SCALE		MAT'L		FINISH	
TOL. DEC.	.X +/-	.XX +/-	.XXX +/-	ANGLE +/-	UNIT: mm
P/N: U002 - 040X-10X-Z					Pg: 1