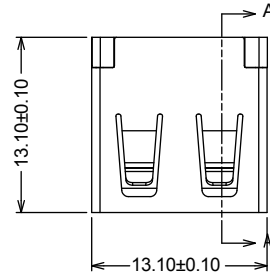
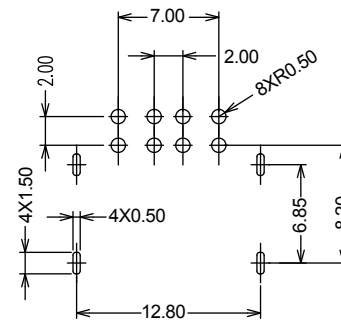


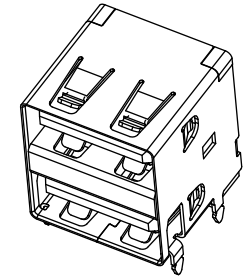
Detail B



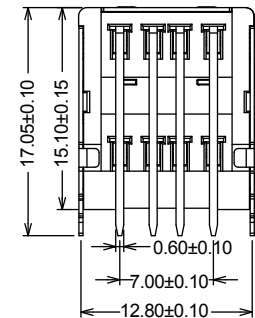
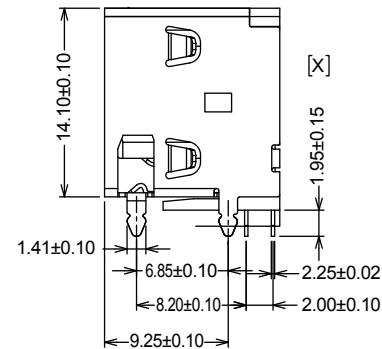
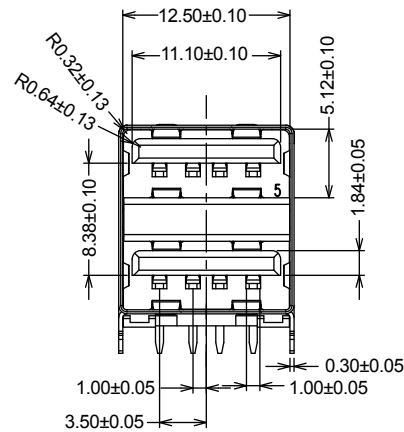
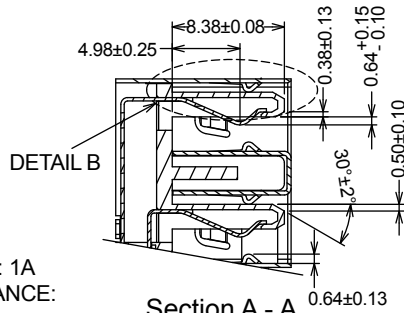
Section A - A



Recommended P.C.B. Layout



Isometric View



**ELECTRICAL:**  
 CURRENT RATING: 1A  
 CONTACT RESISTANCE:  
 < 30 Milliohm Max.  
 INSULATION RESISTANCE:  
 > 1000 Mgeaohm Min.  
 DIELECTRIC WITHSTANDING VOLTAGE:  
 500 AC for 1 Minute  
 OPERATING TEMPERATURE: -30° C to +15° C

**MATERIAL:**  
 INSULATOR: Thermoplastic UL94V-0  
 CONTACTS: Phosphor Bronze  
 CONTACT PLATING:  
 Gold Plating over Nickel on Contact Area,  
 Tin/Lead Plating on Terminal  
 SHELL: Phosphor Bronze  
 SHELL PLATING: Nickel 50u" min.

**MECHANICAL:**  
 MATING FORCE: 35 Newton's Max.  
 UNMATING FORCE: 10 Newtons Min.

RECOMMENDED PC BOARD THICKNESS OF 1.57mm

**HOW TO ORDER:**

**U 0 0 1 - 0 8 0 X - K 0 X - Z**

**NUMBER OF CONTACTS:**  
 08 - 8 PIN DUAL PORT

**INSULATOR COLOR:**  
 0 - BLACK  
 1 - WHITE

**NUMBER OF LOCKS:**  
 0 - Standard 2 Locks  
 (Top, Bottom, Sides)

**ROHS COMPLIANT**

**DEFINITION:**  
 0 - RIGHT ANGLE

**SHELL STYLE:**  
 K - Low Profile, Double Stack

**SELECTIVE CONTACT PLATING:**  
 1 - Gold  
 3 - 15u" Gold  
 4 - 30u" Gold

Rev	Drawn	Checked	Approved	Date
0	B.S.	S.M.	S.M.	11/21/18

**SMP TECHNOLOGY, INC.**  
 USB Connector, A Type, 8 Position, Dual Stacked, Low Profile

TOL. DEC. .X +/- 0.35 .XX +/- 0.25 .XXX +/- ANGLE +/- UNIT: mm

SERIES: U001-080X-K0X0-Z