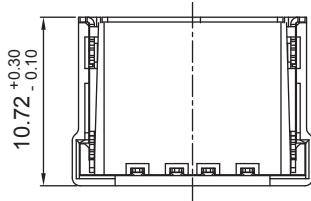
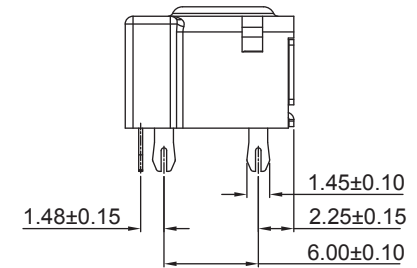
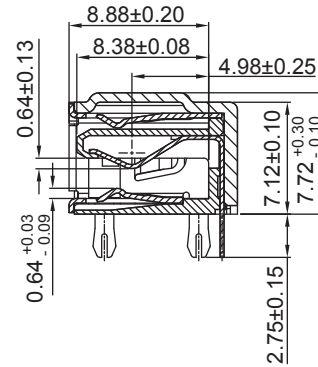
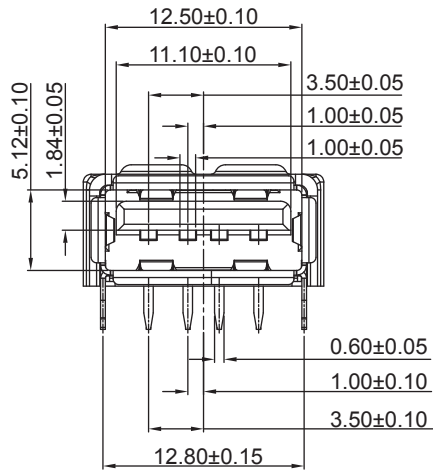


RECOMMENDED PCB LAYOUT



HOW TO ORDER:

U 0 0 1 - 0 4 E 0 - J 4 X 0 - Z

NUMBER OF CONTACTS:
04 - 4 PIN SINGLE PORT

SHELL STYLE

J - Right Angle Short Body w/ 4 PCB Mtg. Legs

of LOCKS

4 - Insulator Cover

RoHS Compliant

SELECTIVE CONTACT PLATING:

1 - Gold Flash
3 - 30u" Gold

ELECTRICAL:

CURRENT RATING: 2A

CONTACT RESISTANCE:

< 30m milliohms

INSULATOR RESISTANCE:

> 1000 MegaOhms Min.

at 500V/DC for 1 Minute

DIELECTRIC WITHSTANDING VOLTAGE:

500V AC for 1 Minute Min.

OPERATING TEMPERATURE: -55° C to +105° C

MATERIAL:

INSULATOR: Thermoplastic UL94V-0

CONTACTS: Copper Alloy

SHELL PLATING: 50u" Nickel Plated

CONTACT PLATING: Specified Gold thickness over 50u" Nickel in contact area;

100u" Tin over 50u" Nickel in solder tail area

Rev	Drawn	Checked	Approved	Date
0	B.S.	S.M.	S.M.	10/25/18

SMP TECHNOLOGY, INC.
Short Body, Right Angle, Thru Hole, Standard Orientation,
With 4 PCB Mounting Legs

TOL. DEC. .X +/- 0.30 .XX +/- 0.25 .XXX +/- 0.20 ANGLE +/- UNIT: mm

P/N: U001-04E0-J4X0-Z Pg: 1