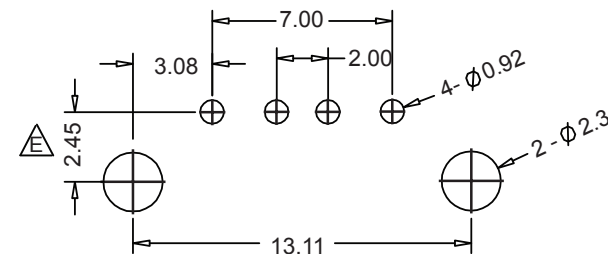
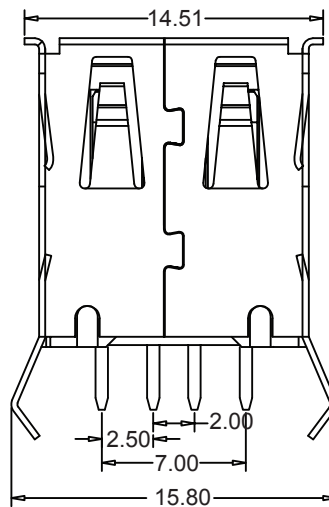
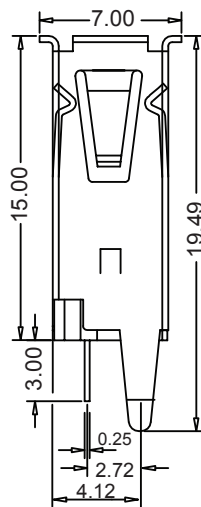
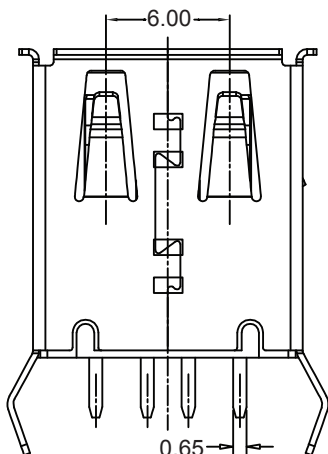


Isometric View



Recommended PCB Layout

HOW TO ORDER:

U 0 0 1 - 0 4 1 X - 1 1 X - Z

NUMBER OF CONTACTS:
04 - 4 PIN SINGLE PORT

DEFINITION:
1 - STRAIGHT

SHELL STYLE
1 - Standard - No Front Grounding Springs

of LOCKS
1 - 4 Locks

RoHS Compliant

INSULATOR MATERIAL & COLOR:
0 - BLACK (PBT)
1 - WHITE (PBT)
4 - BLACK (LCP)
5 - WHITE (LCP)

SELECTIVE CONTACT PLATING:
1 - Gold Flash
2 - 15u" Au
3 - 30u" Au
4 - 6u" Au

ELECTRICAL:

CURRENT RATING: 1.5A
CONTACT RESISTANCE: < 30milliohm Max.
INSULATOR RESISTANCE:> 1000 Megaohm Min.
DIELECTRIC WITHSTANDING VOLTAGE: 500 VAC for 1 Minute
OPERATING TEMPERATURE: -55° C to +85° C

MATERIAL:

INSULATOR: Thermoplastic UL94V-0; LCP or PBT
CONTACTS: Phosphor Bronze
SHELL: Brass ; Nickel Plated

Rev		Drawn	Checked	Approved	Date
0	Issued	S.E.	S.E.	S.M.	10/01/97
A	Updated	A.M.	A.M.	S.M.	10/27/04
B	Revised for RoHS Compliance	B.S.	B.S.	S.M.	12/13/06
C	Revised Updated PCB Layout	B.S.	B.S.	S.M.	11/11/10
D	Plating Option Revision	B.S.	B.S.	S.M.	10/06/14
E	Insulator Option and Footprint Revision	B.S.	B.S.	S.M.	11/13/14

SMP TECHNOLOGY, INC.

USB CONNECTOR, SINGLE PORT, STRAIGHT, TYPE A (15.0mm Height)

TOL. DEC. .X +/- 0.25 .XX +/- 0.20 .XXX +/- 0.15 ANGLE +/- UNIT: mm

P/N: U001 - 041X -11X - Z