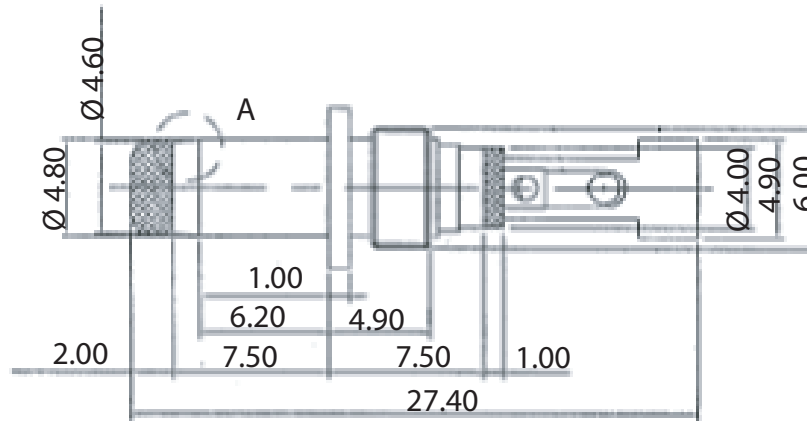


A(2:1)



ELECTRICAL:

CURRENT: 3A
 CONTACT RESISTANCE: 30 milliohms max.
 DIELECTRIC WITHSTANDING VOLTAGE: 500VAC FOR 1 MIN.
 INSULATOR RESISTANCE: 100 Megaohms min.@ DC 500V

MATERIAL:

INSULATOR: PE (Black Color)
 CONTACT: Nickel Plated Brass

Rev		Apv.	Date	SMP TECHNOLOGY, INC.			
0	Issued	S.E.	8/20/01				
SCALE				1.7 mm DC Jack - Premolded Handle			
TOL. DEC.	.X +/- 0.35	.XX +/- 0.	.XXX +/-	ANGLE +/-	UNIT: mm	Part Number SF1A	Pg: 1