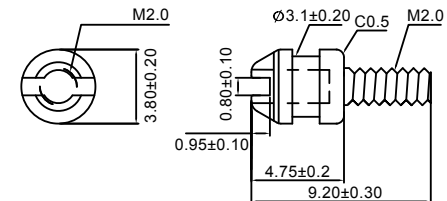
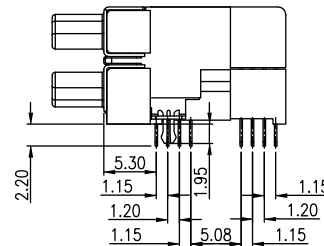
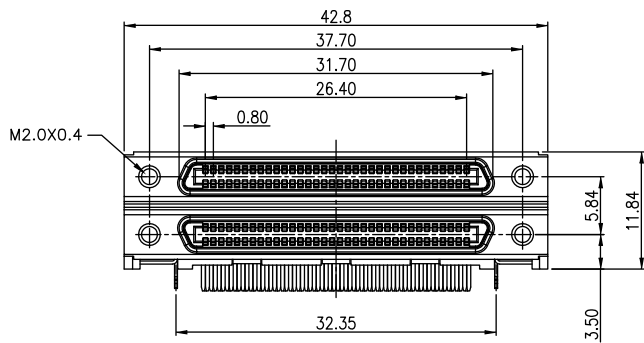


RECOMMENDED PCB LAYOUT



Screwlock P/N: HW-SL-M2/M2-9.2/4.75

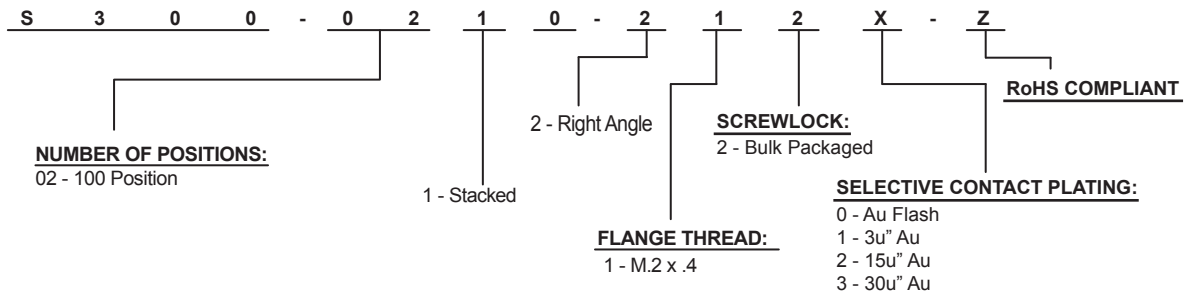
ELECTRICAL:

CONTACT CURRENT RATING: 1 Amp
 DIELECTRIC WITHSTANDING VOLTAGE: 250V AC
 INSULATION RESISTANCE: >500 Mohm (Min.)
 CONTACT RESISTANCE: 35mOhm (Max.)
 OPERATING TEMPERATURE: -55°C ~ +105° C

MATERIAL:

HOUSING: Plastic Thermoplastic PA66 UL94V-0 Black
 TERMINATION COVER: Plastic Thermoplastic PBT UL94V-0 Black
 CONTACTS: Phosphor Bronze Selective Au Plated
 SHELL: Steel, Nickel Plated Over Copper
 BOARDLOCK: Brass, Tin Plated Over Copper
 SCREWS: Steel, Nickel Plated Over Copper

HOW TO ORDER:



Rev	Drawn	Checked	Approved	Date
0 Issued	B.S.	S.M.	S.M.	04/04/19

SMP TECHNOLOGY, INC.

VHDCI Receptacle, Stacked, Right Angle, 136 pin