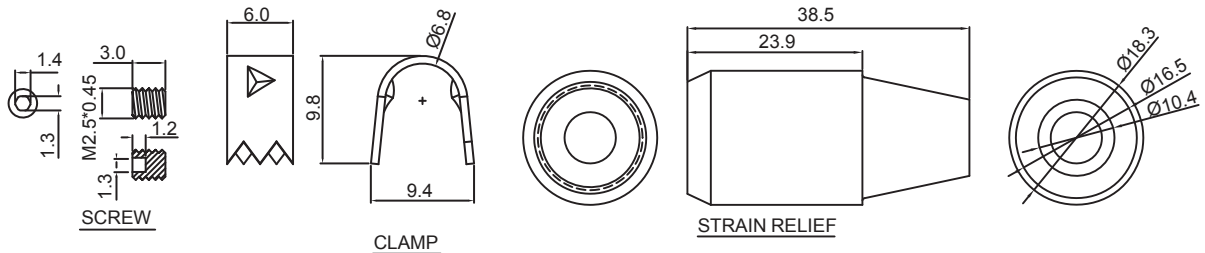
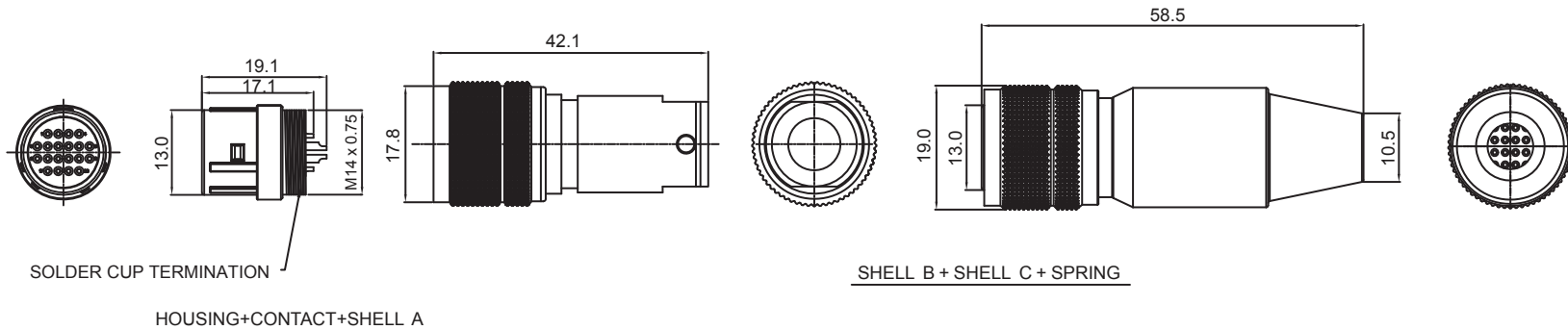
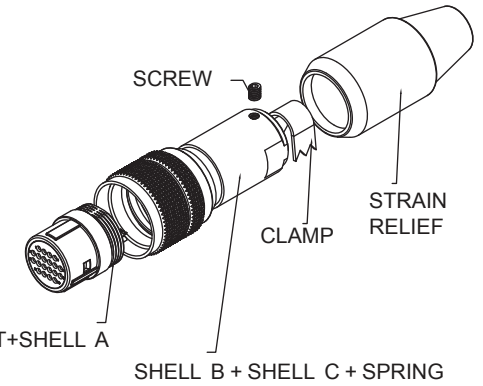


CONTACT ARRANGEMENT (FRONT VIEW)



MATERIAL:
 HOUSING: Nylon 46 (UL94V-0) Black
 CONTACT: Copper Alloy, Au Flash Plated
 SHELL A: Zinc Alloy
 SHELL B & C: Copper Alloy
 SPRING: Stainless Steel
 SCREW: Steel Alloy, Nickel Plated

HOW TO ORDER:
P R 3 4 - 2 0 0 1 - 0 0 0 0 - Z
 R - Receptacle 4 - Cable Receptacle # OF POSITIONS: 20 - 20 Positions TERMINATION: 1 - Solder Cup RoHS COMPLIANT
SERIES: 3 - Size 13

Rev	Drawn	Checked	Approved	Date	
0	B.S.	S.M.	S.M.	08/06/19	SMP TECHNOLOGY, INC.
					Circular Quick Lock Connector (Push Pull Type), Size 13, Cable Receptacle,
					Solder Cup Termination
TOL. DEC.	.X +/- 0.20	.XX +/- 0.10	.XXX +/- 0.05	ANGLE +/- 1°	UNIT: mm
					P/N: PR34-2001-0000-Z
					Pg: 1 of 1