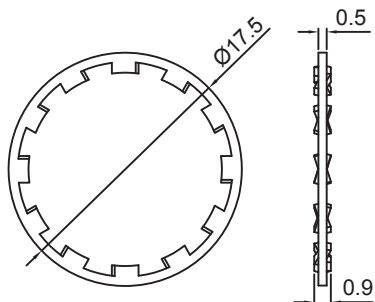
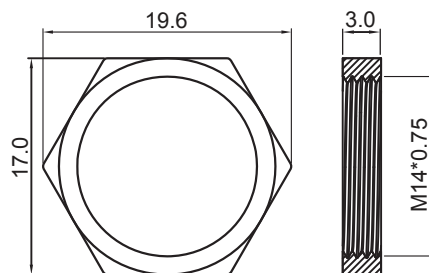


HOUSING+CONTACT+SPRING+SHELL

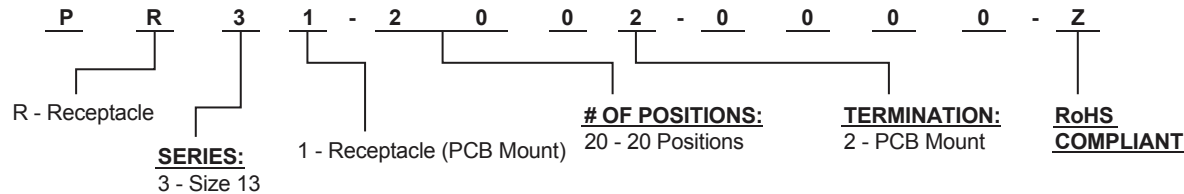


WASHER
P/N: HW-W-17.5-17.0-0.9



NUT
P/N: HW-N-M14*0.75-17.0

HOW TO ORDER:



MATERIAL:
 HOUSING: Thermoplastic PBT (UL94V-0) Black
 CONTACT: Copper Alloy, Au Flash Plated
 SHELL: Nickel Plated Zinc Alloy
 SPRING: Stainless Steel
 WASHER: Nickel Plated Phosphor Bronze
 NUT: Nickel Plated Copper Alloy

Rev	Drawn	Checked	Approved	Date	
0	B.S.	S.M.	S.M.	08/01/19	SMP TECHNOLOGY, INC.
					Circular Quick Lock Connector (Push Pull Type), Size 13, Receptacle,
					PCB Mount Termination
TOL. DEC.	.X +/- 0.20	.XX +/- 0.10	.XXX +/- 0.05	ANGLE +/- 1°	UNIT: mm
					P/N: PR31-2002-0000-Z
					Pg: 1 of 1