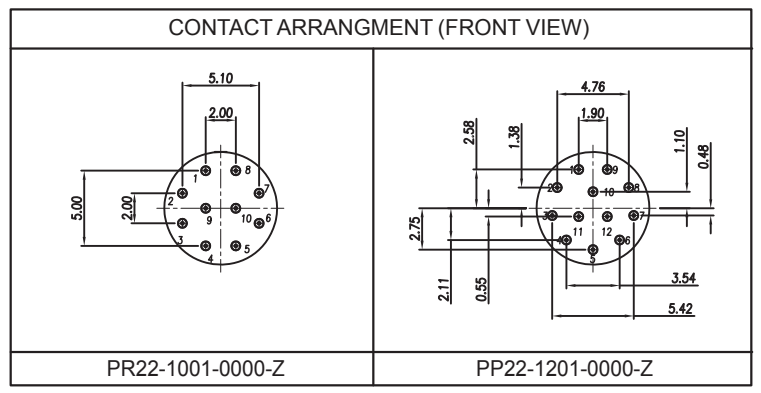
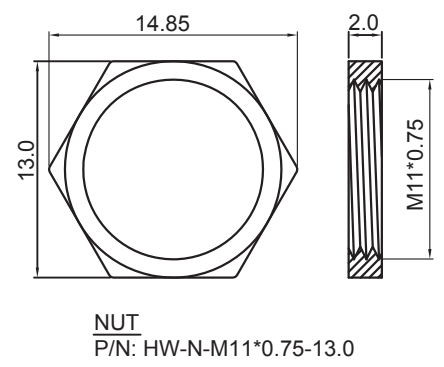
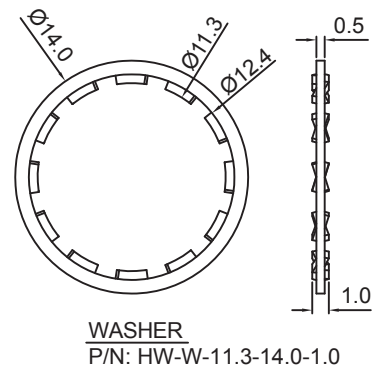
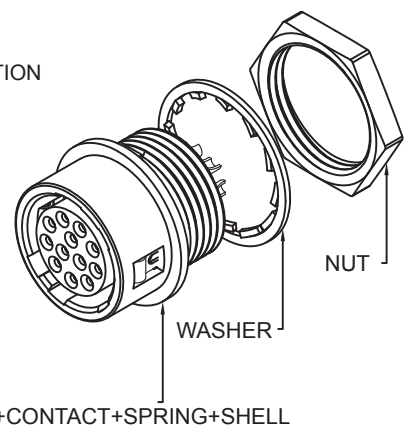
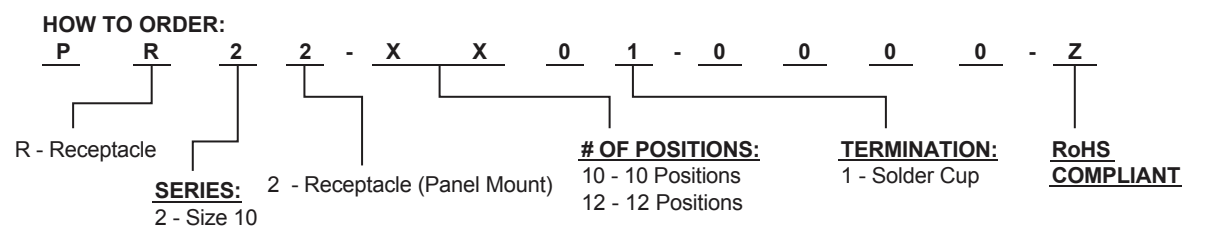


SOLDER CUP TERMINATION



MATERIAL:
 HOUSING: Thermoplastic PBT (UL94V-0) Black
 CONTACT: Copper Alloy, Au Flash Plated
 SHELL: Nickel Plated Zinc Alloy
 SPRING: Stainless Steel
 WASHER: Nickel Plated Phosphor Bronze
 NUT: Nickel Plated Copper Alloy



Rev		Drawn	Checked	Approved	Date	SMP TECHNOLOGY, INC.
0	Issued	B.S.	S.M.	S.M.	07/25/19	
						Circular Quick Lock Connector (Push Pull Type), Size 10, Receptacle,
						Panel Mount, Solder Cup Termination
TOL. DEC.	.X +/- 0.20	.XX +/- 0.10	.XXX +/- 0.05	ANGLE +/- 1°	UNIT: mm	P/N: PR22-XX02-0000-Z
						Pg: 1 of 1