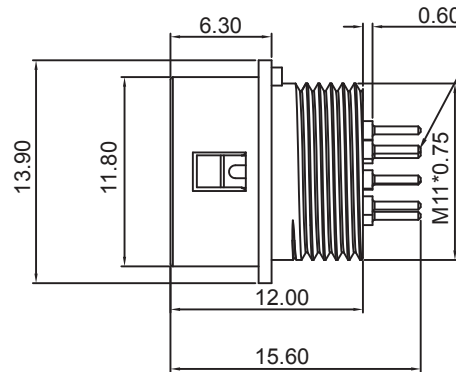
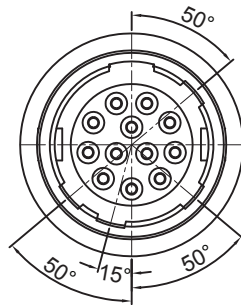
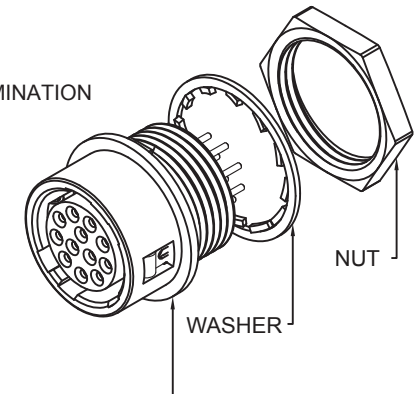


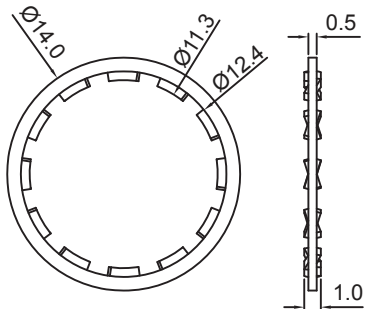
RECOMMENDED MOUNTING HOLE



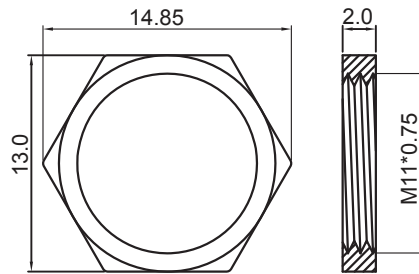
PCB MOUNT TERMINATION



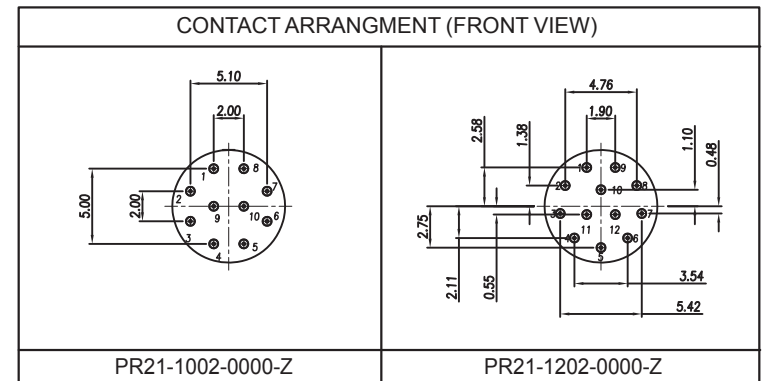
HOUSING+CONTACT+SPRING+SHELL



WASHER
P/N: HW-W-11.3-14.0-1.0



NUT
P/N: HW-N-M11*0.75-13.0



CONTACT ARRANGMENT (FRONT VIEW)

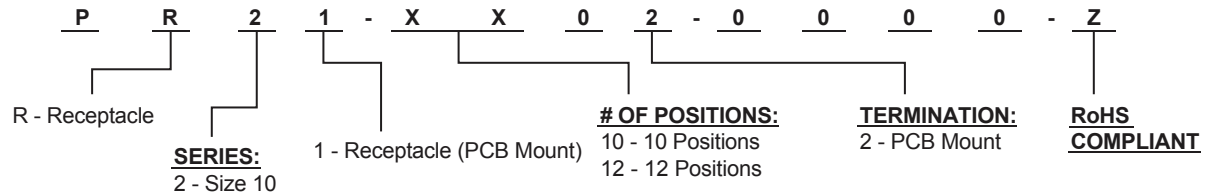
PR21-1002-0000-Z

PR21-1202-0000-Z

MATERIAL:

HOUSING: Thermoplastic PBT (UL94V-0) Black
 CONTACT: Copper Alloy, Au Flash Plated
 SHELL: Nickel Plated Zinc Alloy
 SPRING: Stainless Steel
 WASHER: Nickel Plated Phosphor Bronze
 NUT: Nickel Plated Copper Alloy

HOW TO ORDER:



Rev	Drawn	Checked	Approved	Date
0	Issued	B.S.	S.M.	07/25/19

SMP TECHNOLOGY, INC.

Circular Quick Lock Connector (Push Pull Type), Size 10, Receptacle,

PCB Mount Termination

TOL. DEC. .X +/- 0.20 .XX +/- 0.10 .XXX +/- 0.05 ANGLE +/- 1° UNIT: mm

P/N: PR21-XX02-0000-Z