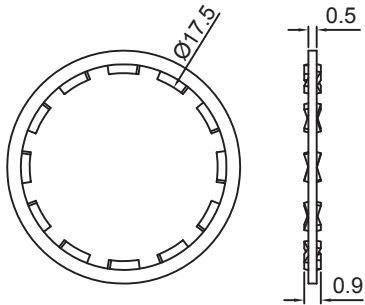
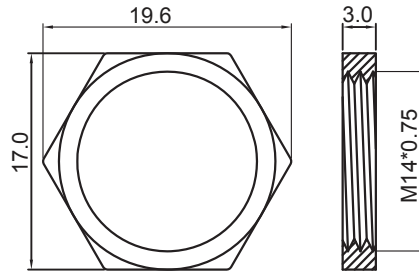


HOUSING+CONTACT+SPRING+SHELL



WASHER
P/N: HW-W-11.3-17.5-0.9

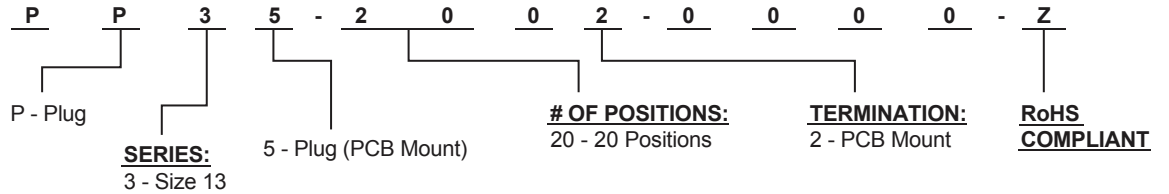


NUT
P/N: HW-N-M14*0.75-17.0

MATERIAL:

HOUSING: Thermoplastic PBT (UL94V-0) Black
 CONTACT: Copper Alloy, Au Flash Plated
 SHELL: Nickel Plated Zinc Alloy
 SPRING: Stainless Steel
 WASHER: Nickel Plated Phosphor Bronze
 NUT: Nickel Plated Copper Alloy

HOW TO ORDER:



Rev	Drawn	Checked	Approved	Date
0	B.S.	S.M.	S.M.	07/25/19

SMP TECHNOLOGY, INC.
 Circular Quick Lock Connector (Push Pull Type), Size 13, Plug,
 PCB Mount Termination