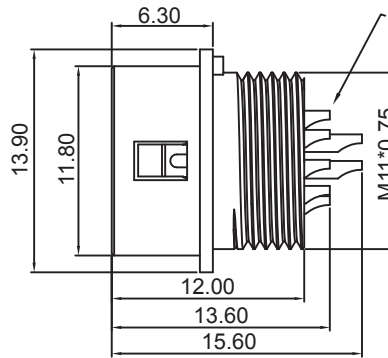
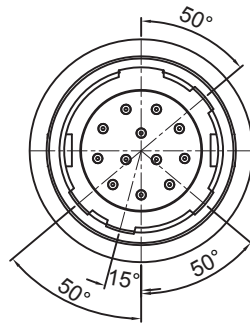
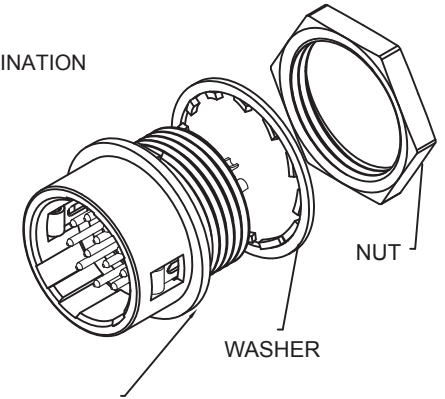


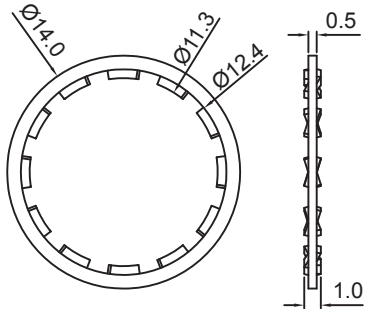
RECOMMENDED MOUNTING HOLE



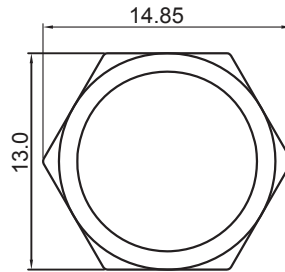
SOLDER CUP TERMINATION



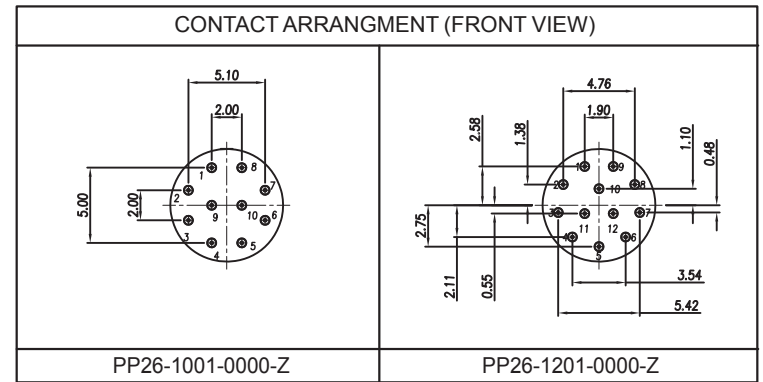
HOUSING+CONTACT+SPRING+SHELL



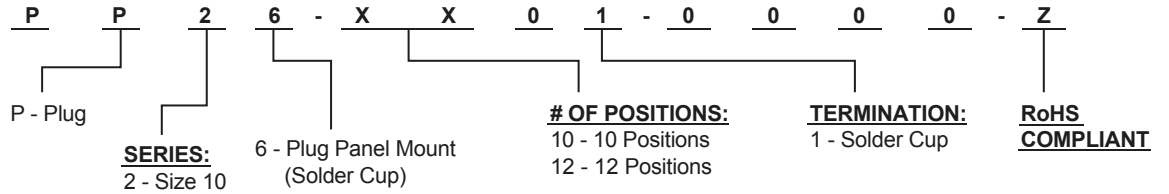
WASHER
P/N: HW-W-11.3-14.0-1.0



NUT
P/N: HW-N-M11*0.75-13.0



HOW TO ORDER:



MATERIAL:

- HOUSING: Thermoplastic PBT (UL94V-0) Black
- CONTACT: Copper Alloy, Au Flash Plated
- SHELL: Nickel Plated Zinc Alloy
- SPRING: Stainless Steel
- WASHER: Nickel Plated Phosphor Bronze
- NUT: Nickel Plated Copper Alloy

| Rev | Drawn | Checked | Approved | Date |
|-----------|-------------|--------------|---------------|--------------|
| 0 | Issued | B.S. | S.M. | S.M. |
| | | | | |
| | | | | |
| | | | | |
| TOL. DEC. | .X +/- 0.20 | .XX +/- 0.10 | .XXX +/- 0.05 | ANGLE +/- 1° |

| | |
|---|------------|
| SMP TECHNOLOGY, INC. | |
| Circular Quick Lock Connector (Push Pull Type), Size 10, Plug, Panel Mount, | |
| Solder Cup Termination | |
| P/N: PP26-XX01-0000-Z | Pg: 1 of 1 |