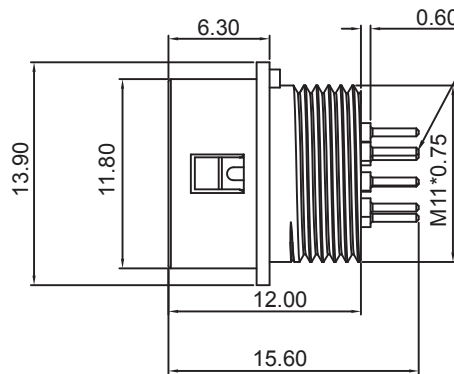
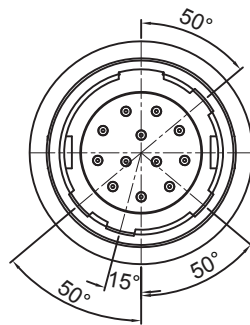
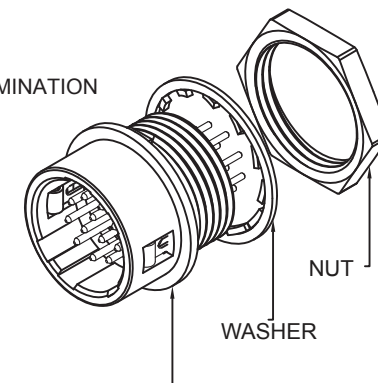


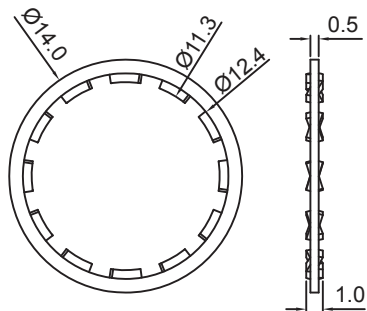
RECOMMENDED MOUNTING HOLE



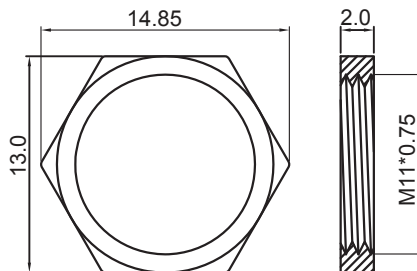
PCB MOUNT TERMINATION



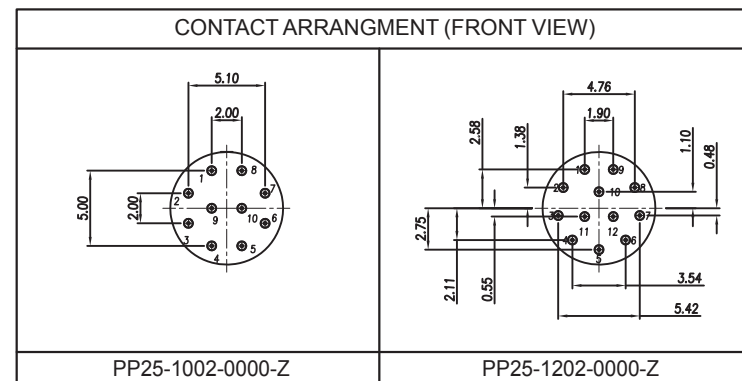
HOUSING+CONTACT+SPRING+SHELL



WASHER  
P/N: HW-W-11.3-14.0-1.0



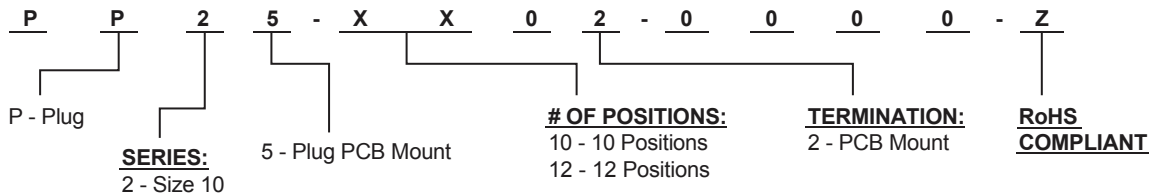
NUT  
P/N: HW-N-M11\*0.75-13.0



**MATERIAL:**

HOUSING: Thermoplastic PBT (UL94V-0) Black  
 CONTACT: Copper Alloy, Au Flash Plated  
 SHELL: Nickel Plated Zinc Alloy  
 SPRING: Stainless Steel  
 WASHER: Nickel Plated Phosphor Bronze  
 NUT: Nickel Plated Copper Alloy

**HOW TO ORDER:**



Rev	Drawn	Checked	Approved	Date
0	Issued	B.S.	S.M.	S.M.

**SMP TECHNOLOGY, INC.**  
 Circular Quick Lock Connector (Push Pull Type), Size 10, Plug,  
 PCB Mount Termination

TOL. DEC. .X +/- 0.20 .XX +/- 0.10 .XXX +/- 0.05 ANGLE +/- 1° UNIT: mm

P/N: PP25-XX02-0000-Z Pg: 1 of 1