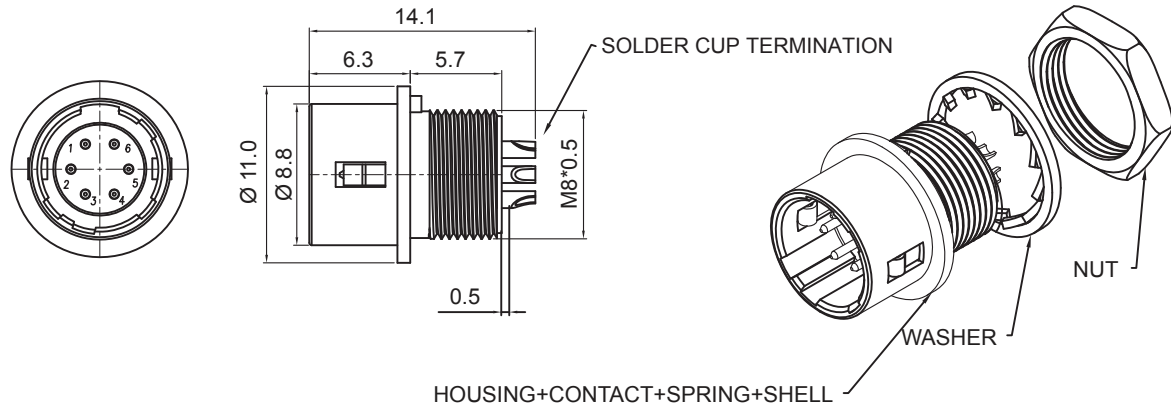
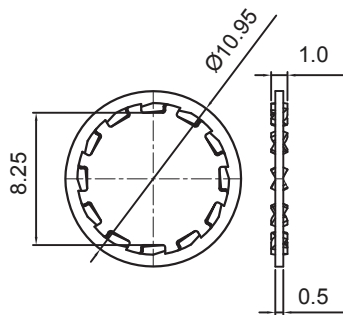


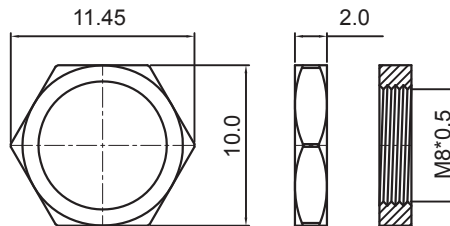
RECOMMENDED MOUNTING HOLE



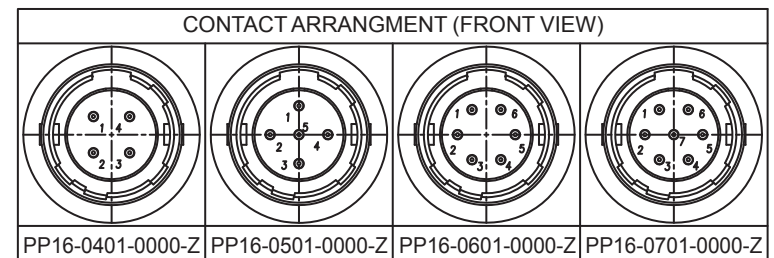
HOUSING+CONTACT+SPRING+SHELL



WASHER
P/N: HW-W-8.25-10.95-1.0



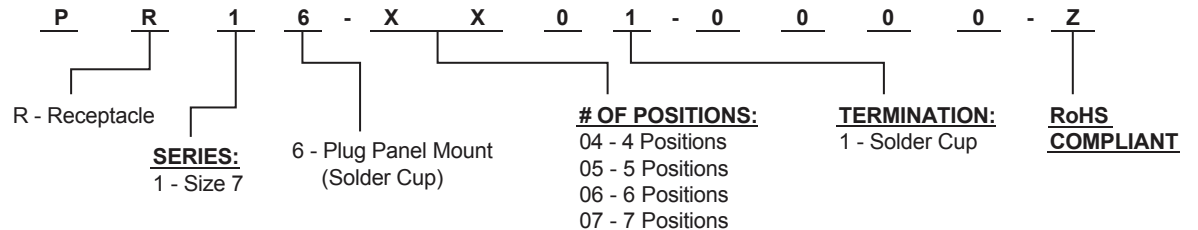
NUT
P/N: HW-NM8*0.5-11.45



MATERIAL:

HOUSING: Thermoplastic PBT (UL94V-0) Black
 CONTACT: Copper Alloy, Au Flash Plated
 SHELL: Nickel Plated Zinc Alloy
 SPRING: Stainless Steel
 WASHER: Nickel Plated Phosphor Bronze
 NUT: Nickel Plated Copper Alloy

HOW TO ORDER:



Rev	Drawn	Checked	Approved	Date
0	B.S.	S.M.	S.M.	07/18/19

SMP TECHNOLOGY, INC.

Circular Quick Lock Connector (Push Pull Type), Size 7, Plug, Panel Mount,
 Solder Cup Termination