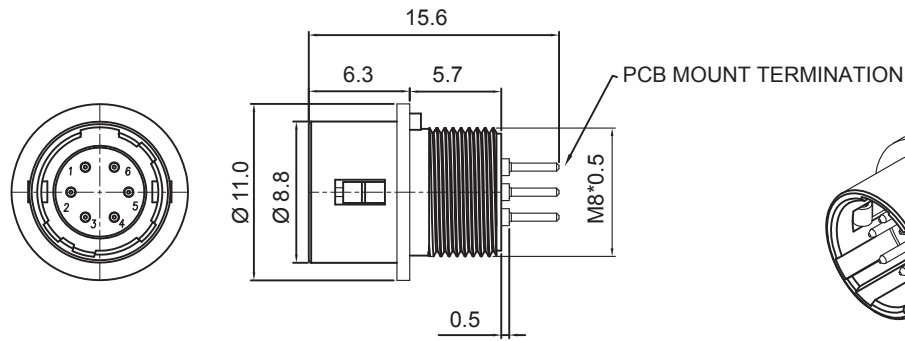
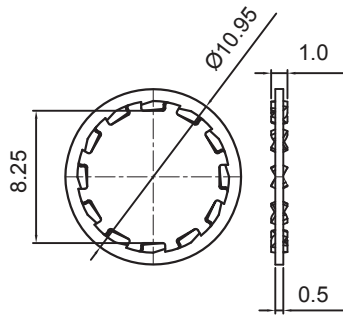
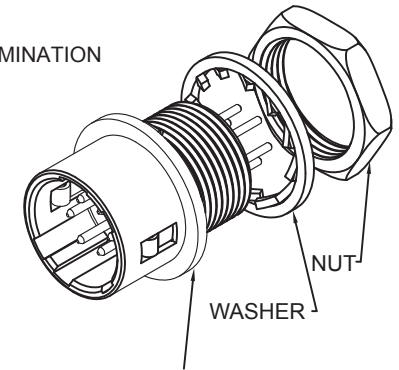


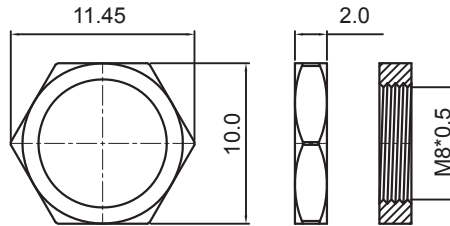
RECOMMENDED MOUNTING HOLE



HOUSING+CONTACT+SPRING+SHELL



WASHER
P/N: HW-W-8.25-10.95-1.0



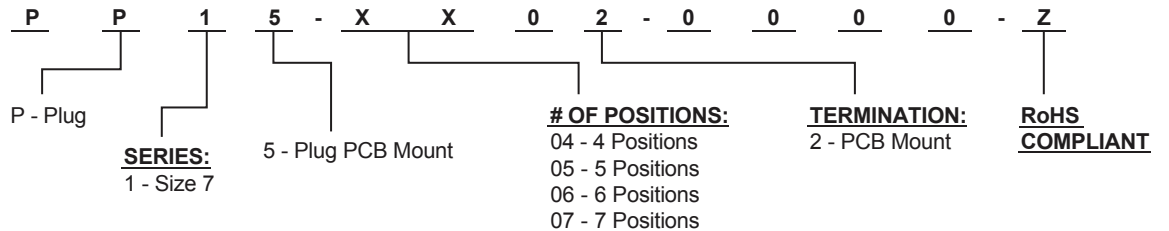
NUT
P/N: HW-N-M8*0.5-11.45

CONTACT ARRANGMENT (FRONT VIEW)			
PP15-0402-0000-Z	PP15-0502-0000-Z	PP15-0602-0000-Z	PP15-0702-0000-Z

MATERIAL:

HOUSING: Thermoplastic PBT (UL94V-0) Black
 CONTACT: Copper Alloy, Au Flash Plated
 SHELL: Nickel Plated Zinc Alloy
 SPRING: Stainless Steel
 WASHER: Nickel Plated Phosphor Bronze
 NUT: Nickel Plated Copper Alloy

HOW TO ORDER:



Rev	Drawn	Checked	Approved	Date
0	B.S.	S.M.	S.M.	06/06/19

SMP TECHNOLOGY, INC.
 Circular Quick Lock Connector (Push Pull Type), Size 7, Plug,
 PCB Mount Termination