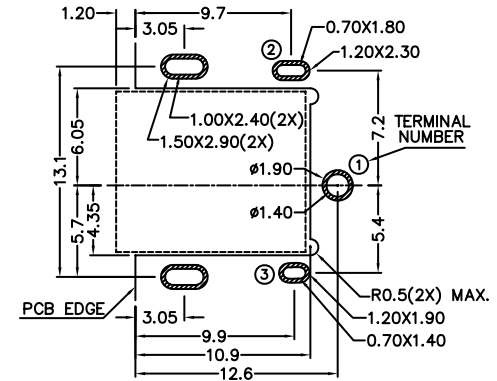
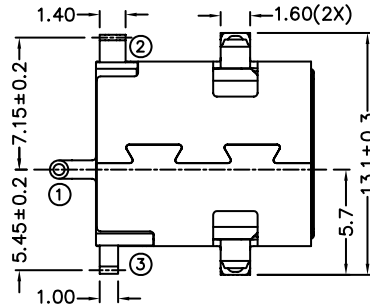
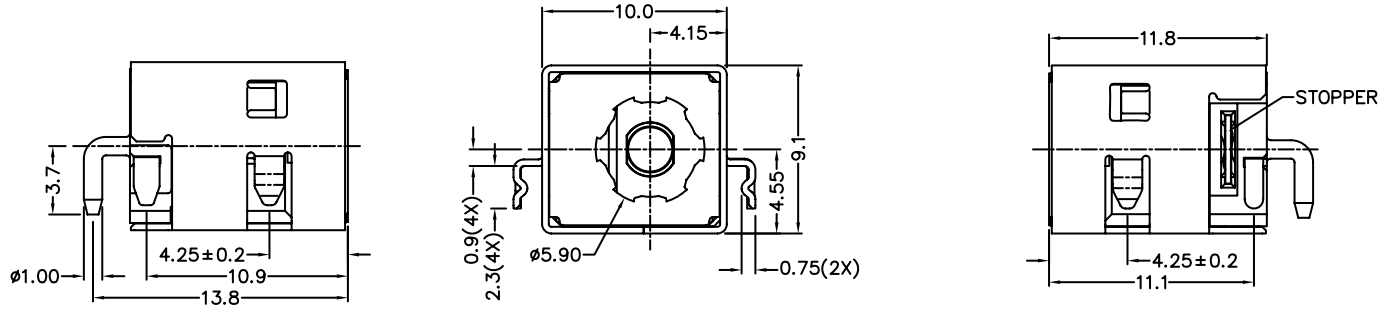
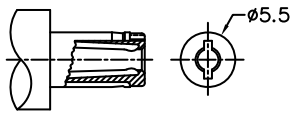


ISOMETRIC VIEW



RECOMMENDED PCB LAYOUT
(TOP VIEW)



DC Mate Plug

SCHEMATIC	
CENTER PIN	$\phi 1.65\text{mm}$ $\phi 2\text{mm}$ $\phi 2.5\text{mm}$

ELECTRICAL:

RATING: 5 AMP / 16 VDC Max.
 DIELECTRIC WITHSTANDING VOLTAGE: 500V. r.m.s.
 INSULATION RESISTANCE: 50 Megaohm Min.
 CONTACT RESISTANCE: Initial 50 milliohm; 100 milliohms after life cycle test. between mating plug and connector.

MATERIALS:

CONTACTS: Copper Alloy, Silver Plated
 INSULATOR: PA 6T
 SHIELD: Nickel Plated Steel

SOLDERABILITY:

REFLOW COMPATIBLE: (260°C for 5 Seconds)
 For Soldering Profile Contact SMP Technology Inc.

ENVIRONMENT:

OPERATING TEMPERATURE: -25°C to +85°C
 STORAGE TEMPERATURE: 0°C to +40°C
 LIFE TEST: 5000 Insertion / Withdrawals

HOW TO ORDER:

P 0 0 2 - X E 0 9 - 3 1 1 - Z

CENTER PIN DIAMETER

4 - 1.65 mm
 6 - 2.0mm
 7 - 2.5mm

PACKAGING OPTIONS

1 - Tape & Reel

**RoHS
COMPLIANT**

Rev		Drawn	Checked	Approved	Date
0	Issued	B.S.	S.M.	S.M.	05/10/12

SMP TECHNOLOGY, INC.

DC Jack, Right Angle, Thru Hole Mount, Shielded,
 9.1mm Height x 10.0 mm Width, Mid-Board Mount

Scale: N/A

TOL. DEC. .X +/- 0.2 .XX +/- 0.1 .XXX +/- 0.05 ANGLE +/- 2° UNIT: mm

SERIES: P002-XE09-311-Z