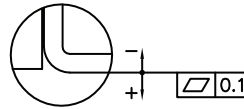
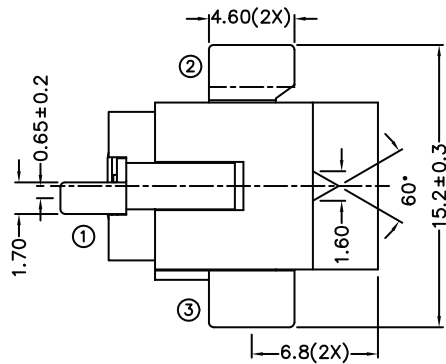
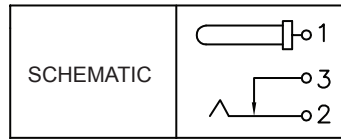


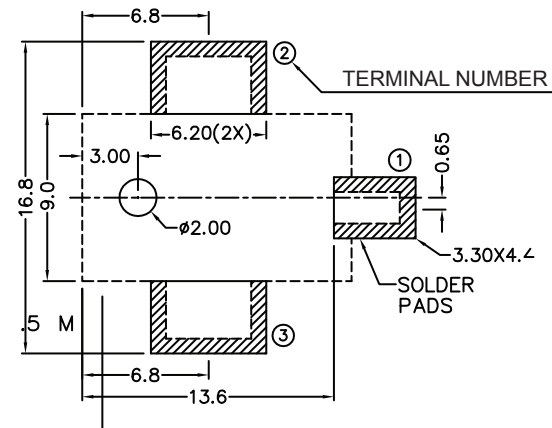
ISOMETRIC VIEW



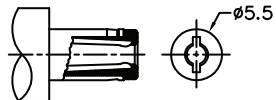
DETAIL "A" COPLANARITY



SCHEMATIC



RECOMMENDED PCB LAYOUT



RECOMMENDED MATING PLUG

**ELECTRICAL:**

CONTACT RESISTANCE: < 50 milliohms Initial; <100milliohms after Life Test  
 INSULATOR RESISTANCE: > 100 Megaohm Initial ;>50 Megaohm after Cold , Hot and Humidity Test  
 DIELECTRIC WITHSTANDING VOLTAGE: 500 V rms For 1 Min.  
 OPERATING TEMPERATURE: -25°C TO +85°C  
 RATING: 5 AMPS/ 16 VDC Max.

**MATERIAL:**

INSULATOR: PA6T (UL94V-0)  
 SIGNAL CONTACT: COPPER ALLOY, SILVER PLATED  
 GROUND CONTACT: COPPER ALLOY, SILVER PLATED  
 TERMINAL: COPPER ALLOY, SILVER PLATED  
 MOUNTING PIN: COPPER ALLOY, NICKEL PLATED  
 RECOMMENDED REFLOW SOLDERING TEMPERATURE: 260 C 5 Seconds

**HOW TO ORDER:**

P 0 0 2 - X D 0 0 - 3 1 0 - Z

**CENTER PIN DIAMETER:**  
 6 - 2.0mm  
 7 - 2.5mm

**PCB MOUNTING OPTIONS:**  
 3 - SURFACE MOUNT

**RoHS COMPLIANCE:**

Rev	Drawn	Checked	Apprvd.	Date
0 Issued	B.S.	B.S.	S.M.	07/14/12

**SMP TECHNOLOGY, INC.**

DC Power Jack, Right Angle, SMT ; 2.0mm and 2.5mm Pin Diameter

SCALE:n/a Tape and Reel Package

TOL. DEC. .X +/- 0.2 .XX +/- 0.1 .XXX +/- .005 ANGLE +/- 3° UNIT: mm

P/N: P 0 0 2 - X D 0 0 - 3 1 0 - Z