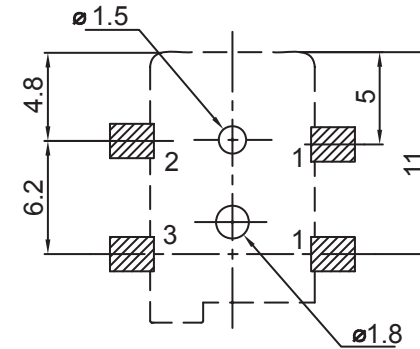
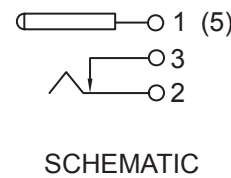
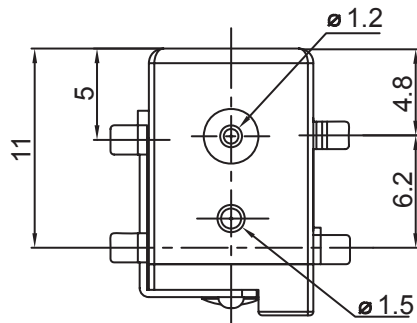


ISOMETRIC VIEW



RECOMMENDED PCB LAYOUT

MECHANICAL:

DURABILITY: 5000 Cycles (Insertion & Withdrawl)

ELECTRICAL:

CONTACT RESISTANCE: Will Not Exceed 0.03 ohm

INSULATOR RESISTANCE: > 100 Megaohm

DIELECTRIC WITHSTANDING VOLTAGE: 250VAC FOR 1 MIN.

OPERATING TEMPERATURE: -40°C TO +105°C

MATERIAL:

INSULATOR: HIGH TEMPERATURE THERMOLASTIC PA9T(UL94V-0)

SIGNAL CONTACT: COPPER ALLOY, SILVER PLATED

GROUND CONTACT: COPPER ALLOY, SILVER PLATED

TERMINAL: COPPER ALLOY, SILVER PLATED

MOUNTING PIN: COPPER ALLOY, NICKEL PLATED

HOW TO ORDER:

P 0 0 2 - X

CENTER PIN DIAMETER:

6 - 2.0mm

7 - 2.5mm

0 1 0 - 3

PCB MOUNTING OPTIONS:

3 - SURFACE MOUNT

0 0 - Z

PACKAGING:

0 - TRAY

1 - TAPE/REEL

**RoHS
COMPLIANT**

Rev	Drawn	Checked	Approved	Date
0	A.M.	S.M.	S.M.	01/22/2004
A	B.S.	S.M.	S.M.	12/1/06
B	B.S.	S.M.	S.M.	03/19/08
C	B.S.	S.M.	S.M.	05/01/14

SMP TECHNOLOGY, INC.

DC Power Jack, Right Angle Surface Mount

2.0, 2.5mm Pin Diameter, 11.0mm Height

SCALE:n/a

TOL. DEC. .X +/- 0.3 .XX +/- 0.15 .XXX +/- ANGLE +/- 3° UNIT: mm

P/N: P002-x010-300-Z

Pg: 1