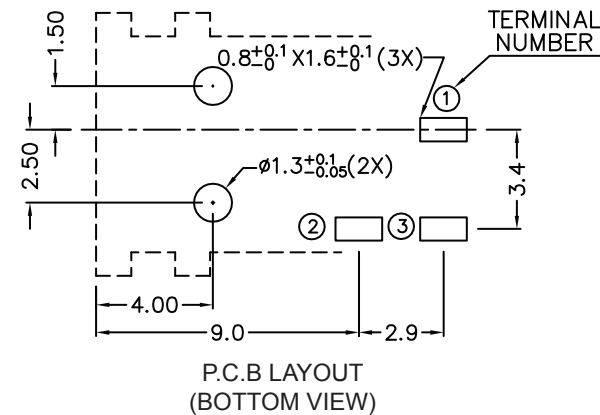


PIN	Ø1.6mm
SCHEMATIC	



**DC MATE PLUG**

**MECHANICAL:**

DURABILITY: 5000 CYCLES (INSERTION & WITHDRAWL)

**ELECTRICAL:**

CONTACT RESISTANCE: Will NOT EXCEED 0.1 OHM AFTER TESTING  
 INSULATOR RESISTANCE: > 50MΩ  
 DIELECTRIC WITHSTANDING VOLTAGE: 500V r.m.s. 50/60 Hz FOR 1 MIN.  
 OPERATING TEMPERATURE: -25°C TO +85°C  
 RATING: 2.5 A / 16VDC MAX.

**MATERIAL:**

INSULATOR: PA66  
 SIGNAL CONTACT: COPPER ALLOY, TIN PLATED  
 GROUND CONTACT: COPPER ALLOY, TIN PLATED  
 TERMINAL: COPPER ALLOY, TIN PLATED

**HOW TO ORDER:**

P 0 0 2 - 4     0 0 1 - 0     0 0 - Z  
 CENTER PIN DIAMETER:     PCB MOUNTING OPTIONS:     PACKAGING:     RoHS COMPLIANT  
 4 - 1.6mm     0 - SOLDER TAIL     0 - TRAY

Rev	Drawn	Checked	Approved	Date
0	B.S.	S.M.	S.M.	2/21/08

**SMP TECHNOLOGY, INC.**

DC Power Jack, Right Angle Solder Tail

SCALE:n/a     1.6mm Pin Diameter, 6.0mm Height