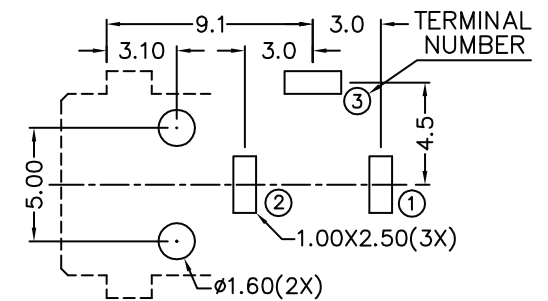


Recommended Mating Plug

PIN	Ø1.00mm
SCHEMATIC	



P.C.B LAYOUT
(BOTTOM VIEW)

MECHANICAL:

DURABILITY: 5000 Cycles (Insertion & Withdrawl)

ELECTRICAL:

CONTACT RESISTANCE: Will Not Exceed 0.1 ohm

INSULATOR RESISTANCE: > 50MΩ

DIELECTRIC WITHSTANDING VOLTAGE: 250VAC FOR 1 MIN.

OPERATING TEMPERATURE: -40°C TO +105°C

MATERIAL:

INSULATOR: PBT (UL94V-0)

SIGNAL CONTACT: COPPER ALLOY, SILVER PLATED

GROUND CONTACT: COPPER ALLOY, SILVER PLATED

TERMINAL: COPPER ALLOY, SILVER PLATED

MOUNTING PIN: COPPER ALLOY, NICKEL PLATED

HOW TO ORDER:

P 0 0 2 - 2 0 0 0 - 0 0 0 - Z

CENTER PIN DIAMETER:

2 - 1.00mm

PCB MOUNTING OPTIONS:

0 - SOLDER TAIL

RoHS COMPLIANT

Rev	Drawn	Checked	Approved	Date
0	B.S.	S.M.	S.M.	10/3/07

SMP TECHNOLOGY, INC.

DC Power Jack, Right Angle Thru Hole, 1.00mm Pin Diameter

SCALE:n/a

TOL. DEC. .X +/- 0.3 .XX +/- 0.15 .XXX +/- ANGLE +/- 3° UNIT: mm

P/N: P002-2000-000-Z

Pg: 1