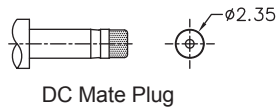
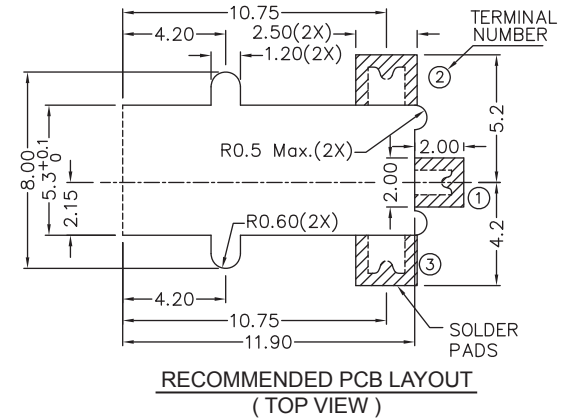


SCHEMATIC	1
	2
	3
CENTER PIN	$\phi 0.65\text{mm}$



**ELECTRICAL:**

RATING: 5 AMP / 16 VDC Max.  
 DIELECTRIC WITHSTANDING VOLTAGE: 500V. r.m.s.  
 INSULATION RESISTANCE: 50 Megaohm Min.

CONTACT RESISTANCE: Initial 50 milliohm; 100 milliohms after life cycle test. between mating plug and connector.

**MATERIALS:**

CONTACTS: Copper Alloy, Silver Plated  
 INSULATOR: PA 6T  
 SHIELD: Nickel Plated Steel

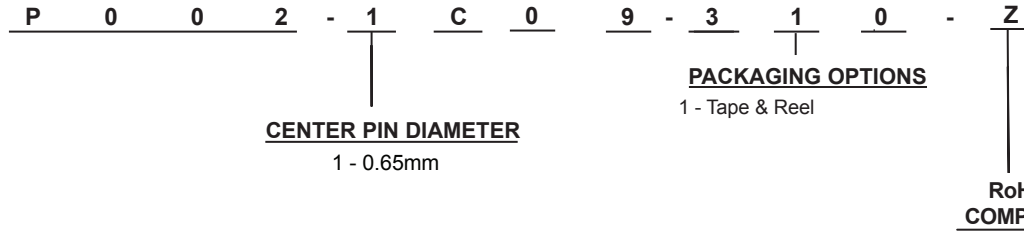
**SOLDERABILITY:**

REFLOW COMPATIBLE: (260°C for 5 Seconds)  
 For Soldering Profile Contact SMP Technology Inc.

**ENVIRONMENT:**

OPERATING TEMPERATURE: -25°C to +85°C  
 STORAGE TEMPERATURE: 0°C to +40°C  
 LIFE TEST: 5000 Insertion / Withdrawals

**HOW TO ORDER:**



Rev	Drawn	Checked	Approved	Date
0 Issued	B.S.	S.M.	S.M.	05/10/12

**SMP TECHNOLOGY, INC.**

DC Jack, Mid High Mount, Surface Mount,  
 5.00mm Height x 6.6mm Width, Mid-Board Mount

Scale: N/A

TOL. DEC. .X +/- 0.2 .XX +/- 0.1 .XXX +/- 0.05 ANGLE +/- 2° UNIT: mm

SERIES: P002-1C09-310-Z