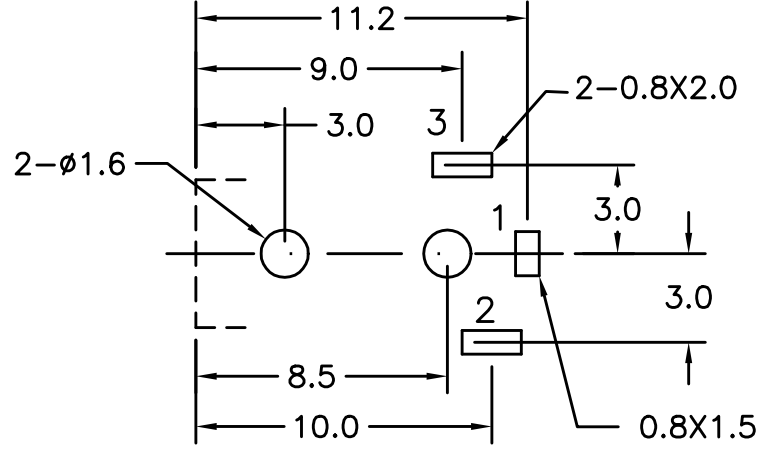


PIN	$\phi 0.64\text{mm}$
SCHEMATIC	



P.C.B. LAYOUT

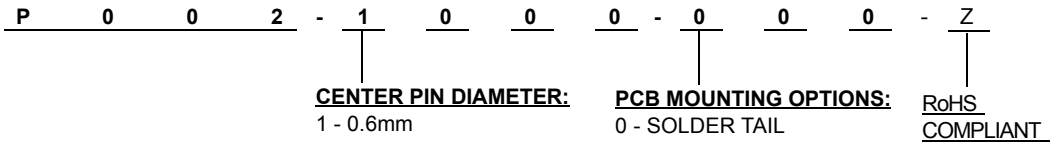
ELECTRICAL:

CONTACT RESISTANCE: < 30m Ω
 INSULATOR RESISTANCE: > 50M Ω
 DIELECTRIC WITHSTANDING VOLTAGE: 250VAC FOR 1 MIN.
 OPERATING TEMPERATURE: -40°C TO +105°C

MATERIAL:

INSULATOR: PBT (UL94V-0)
 SIGNAL CONTACT: COPPER ALLOY, SILVER PLATED
 GROUND CONTACT: COPPER ALLOY, SILVER PLATED
 TERMINAL: COPPER ALLOY, SILVER PLATED
 MOUNTING PIN: COPPER ALLOY, NICKEL PLATED

HOW TO ORDER:



Rev	Drawn	Checked	Approved	Date
0	A.M.	S.M.	S.M.	06/04/03
A	B.S.	S.M.	S.M.	07/14/08

SMP TECHNOLOGY, INC.

DC Power Jack, Right Angle, Thru Hole, Solder Tail, 0.6mm Pin Diameter

TOL. DEC. .X +/- 0.3 .XX +/- 0.15 .XXX +/- ANGLE +/- 3° UNIT: mm

P/N: P002-1000-000-Z