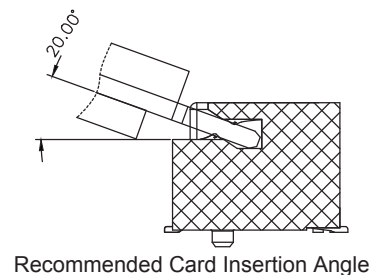


Isometric View



Recommended Card Insertion Angle

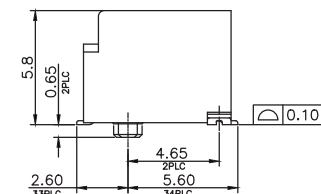
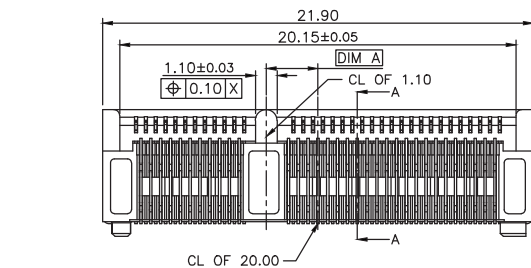
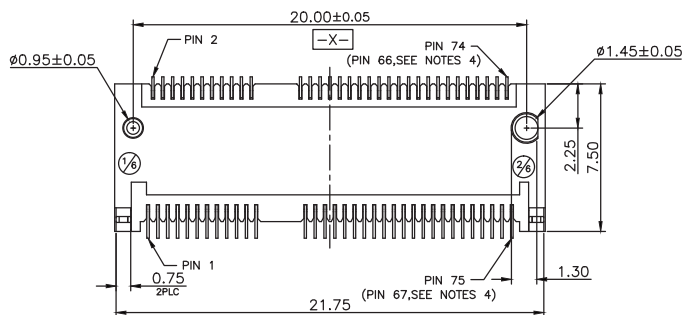
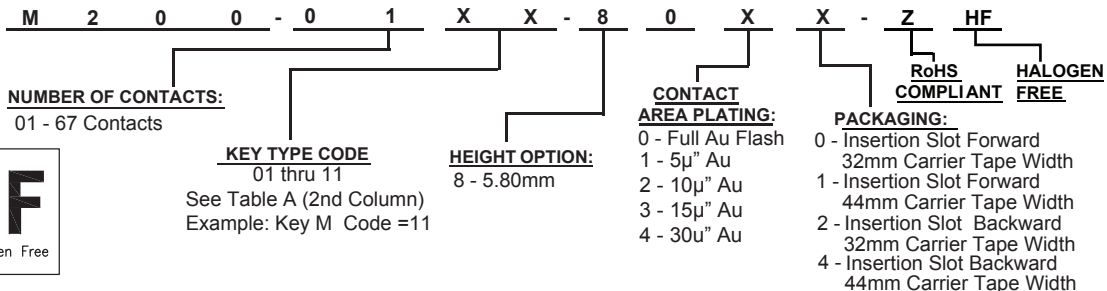


Table A : Keying Type & Code

| KEY NAME | CODE NO. | DIM A  | DIM B | DIM C | DIM D | DIM E | DIM F | DIM G |
|----------|----------|--------|-------|-------|-------|-------|-------|-------|
| KEY A    | 00       | 6.625  | 1.5   | 14.5  | 1.0   | 14.5  | 1.375 | 1.125 |
| KEY B    | 01       | 5.625  | 2.5   | 13.5  | 2.0   | 13.5  | 1.375 | 1.125 |
| KEY C    | 02       | 4.625  | 3.5   | 12.5  | 3.0   | 12.5  | 1.375 | 1.125 |
| KEY D    | 03       | 3.625  | 4.5   | 11.5  | 4.0   | 11.5  | 1.375 | 1.125 |
| KEY E    | 04       | 2.625  | 5.5   | 10.5  | 5.0   | 10.5  | 1.375 | 1.125 |
| KEY F    | 05       | 1.625  | 6.5   | 9.5   | 6.0   | 9.5   | 1.375 | 1.125 |
| KEY G    | 06       | -1.125 | 9.0   | 7.0   | 9.0   | 6.5   | 1.125 | 1.375 |
| KEY H    | 07       | -2.125 | 10.0  | 6.0   | 10.0  | 5.5   | 1.125 | 1.375 |
| KEY J    | 08       | -3.125 | 11.0  | 5.0   | 11.0  | 4.5   | 1.125 | 1.375 |
| KEY K    | 09       | -4.125 | 12.0  | 4.0   | 12.0  | 3.5   | 1.125 | 1.375 |
| KEY L    | 10       | -5.125 | 13.0  | 3.0   | 13.0  | 2.5   | 1.125 | 1.375 |
| KEY M    | 11       | -6.125 | 14.0  | 2.0   | 14.0  | 1.5   | 1.125 | 1.375 |



**HOW TO ORDER:**



**MATERIAL:**

HOUSING: High Temp Thermo Plastic UL94V-0, Black  
 SOLDER LATCH (PEG): Stainless Steel; 80u" Matte tin plating over 50 u: Nickel  
 CONTACT: Copper Alloy  
 CONTACT PLATING: Specified Au Thickness in Contact Area 50u" Nickel Sub-Plate; Au flash plating on solder tails. See Contact Area Plating Option



LEAD FREE



| Rev | Drawn | Checked | Approved | Date     |
|-----|-------|---------|----------|----------|
| 0   | B.S.  | S.M.    | S.M.     | 10/13/16 |
|     |       |         |          |          |
|     |       |         |          |          |

**SMP TECHNOLOGY, INC.**

NGFF Connector ; 5.80mm Height

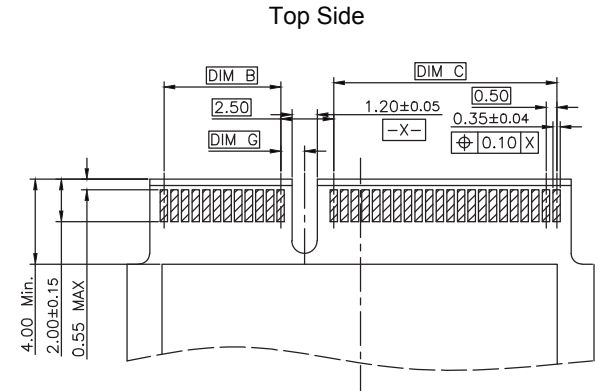
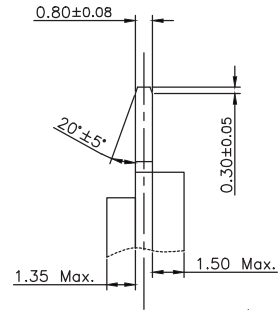
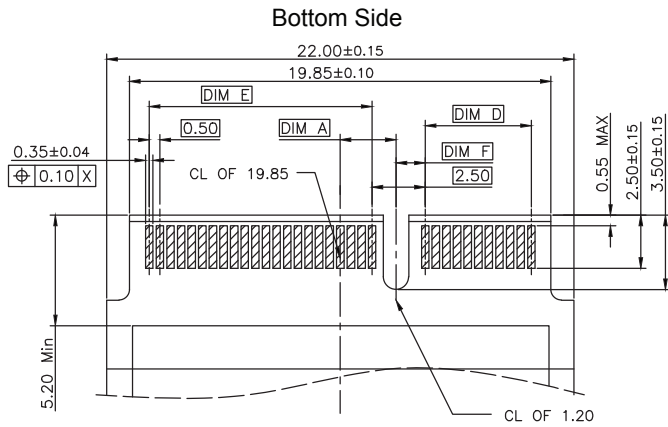
TOL. DEC. .X +/- 0.25 .XX +/- 0.15

ANGLE +/- 3° UNIT: mm

P/N: M200-01XX-80XX-ZHF

Pg: 1 of 3

# Card Module PCB Layout



## Recommended PCB Layout for Connector

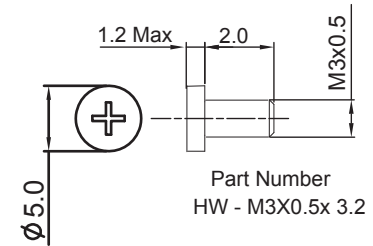
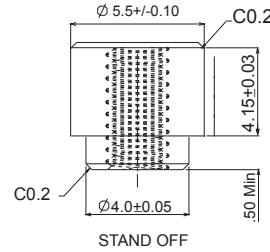
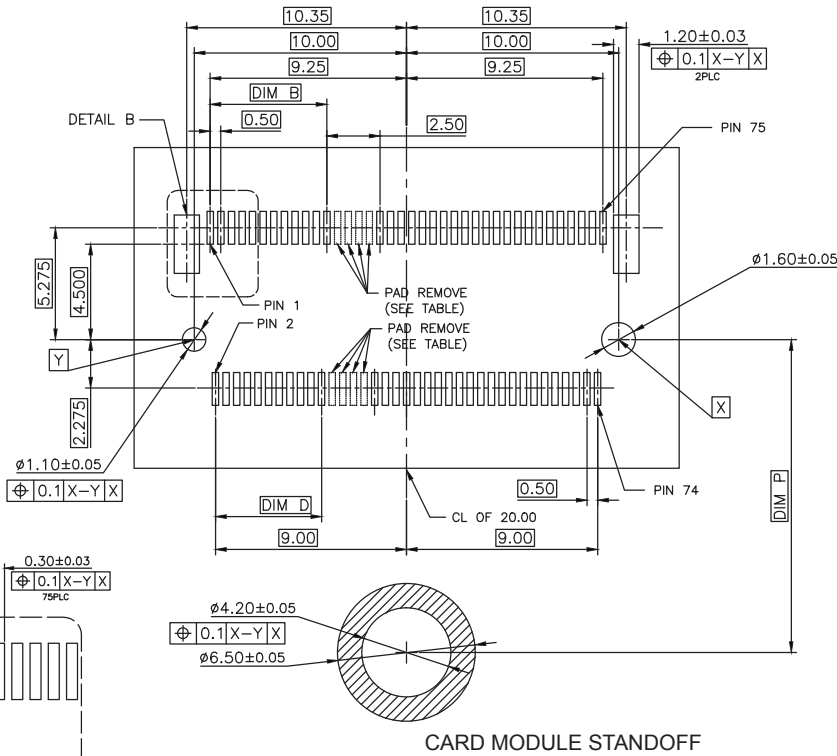


Table A : Keying Type & Code

| KEY NAME | CODE NO. | DIM A  | DIM B | DIM C | DIM D | DIM E | DIM F | DIM G |
|----------|----------|--------|-------|-------|-------|-------|-------|-------|
| KEY A    | 00       | 6.625  | 1.5   | 14.5  | 1.0   | 14.5  | 1.375 | 1.125 |
| KEY B    | 01       | 5.625  | 2.5   | 13.5  | 2.0   | 13.5  | 1.375 | 1.125 |
| KEY C    | 02       | 4.625  | 3.5   | 12.5  | 3.0   | 12.5  | 1.375 | 1.125 |
| KEY D    | 03       | 3.625  | 4.5   | 11.5  | 4.0   | 11.5  | 1.375 | 1.125 |
| KEY E    | 04       | 2.625  | 5.5   | 10.5  | 5.0   | 10.5  | 1.375 | 1.125 |
| KEY F    | 05       | 1.625  | 6.5   | 9.5   | 6.0   | 9.5   | 1.375 | 1.125 |
| KEY G    | 06       | -1.125 | 9.0   | 7.0   | 9.0   | 6.5   | 1.125 | 1.375 |
| KEY H    | 07       | -2.125 | 10.0  | 6.0   | 10.0  | 5.5   | 1.125 | 1.375 |
| KEY J    | 08       | -3.125 | 11.0  | 5.0   | 11.0  | 4.5   | 1.125 | 1.375 |
| KEY K    | 09       | -4.125 | 12.0  | 4.0   | 12.0  | 3.5   | 1.125 | 1.375 |
| KEY L    | 10       | -5.125 | 13.0  | 3.0   | 13.0  | 2.5   | 1.125 | 1.375 |
| KEY M    | 11       | -6.125 | 14.0  | 2.0   | 14.0  | 1.5   | 1.125 | 1.375 |

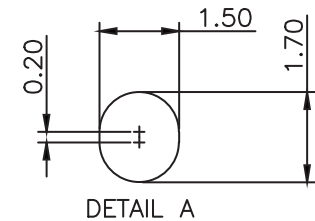
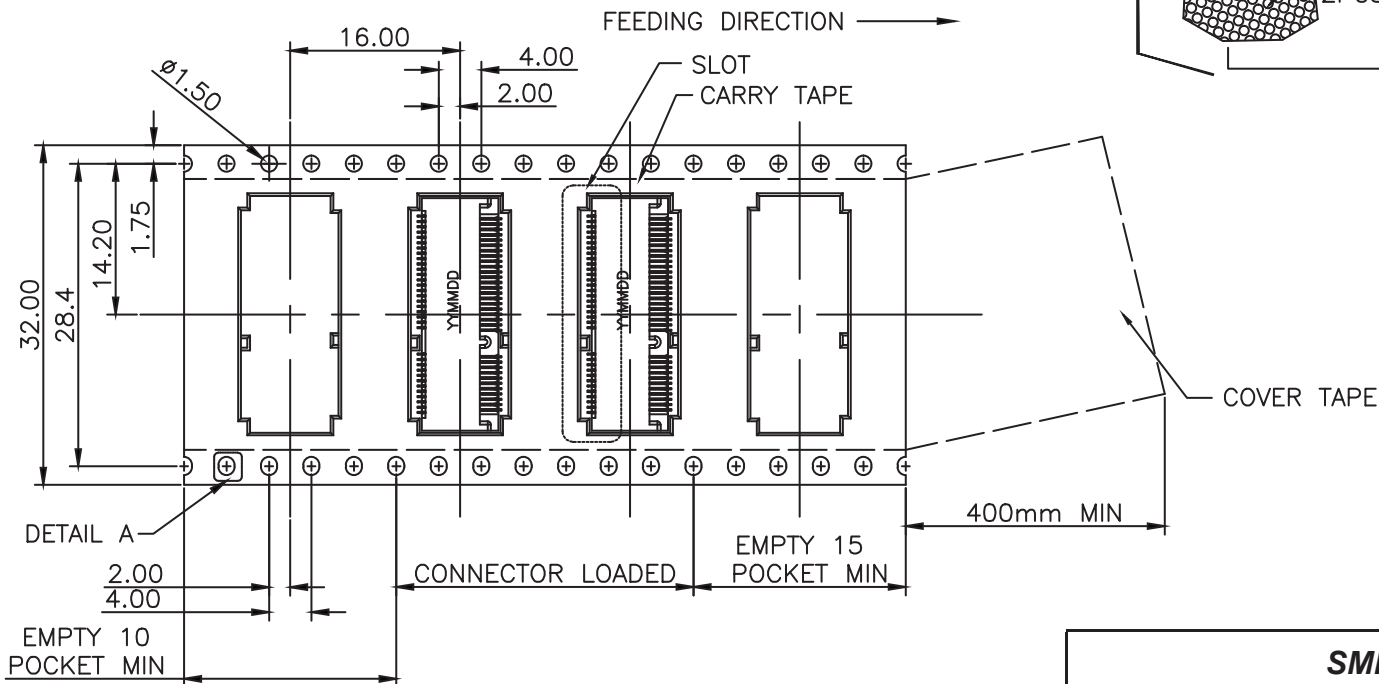
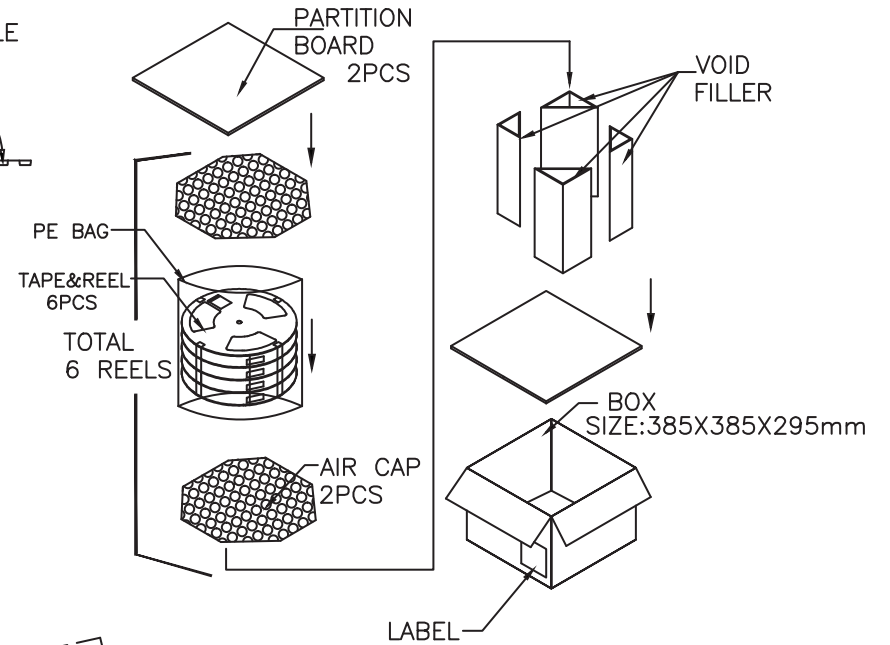
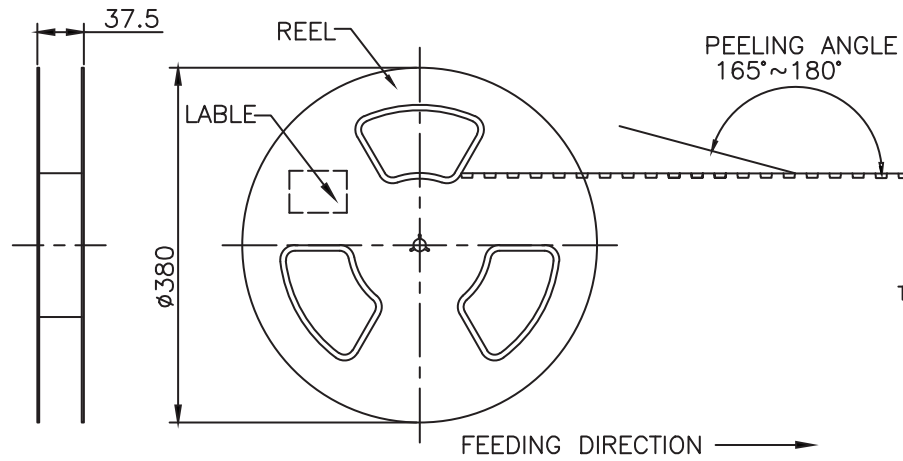
Card Module Length

| MODULE TYPE | DIM P  |
|-------------|--------|
| 3030        | 28.25  |
| 3042        | 40.25  |
| 2230        | 28.25  |
| 2242        | 40.25  |
| 2260        | 58.25  |
| 2280        | 78.25  |
| 22110       | 108.25 |

**SMP TECHNOLOGY, INC.**

NGFF Connector ; 5.80mm Height

EMBOSS WIDTH 32mm, SLOT FORWARD



|                                |
|--------------------------------|
| <b>SMP TECHNOLOGY, INC.</b>    |
| NGFF Connector ; 5.80mm Height |
| P/N: M200-01XX-80XX-ZHF        |