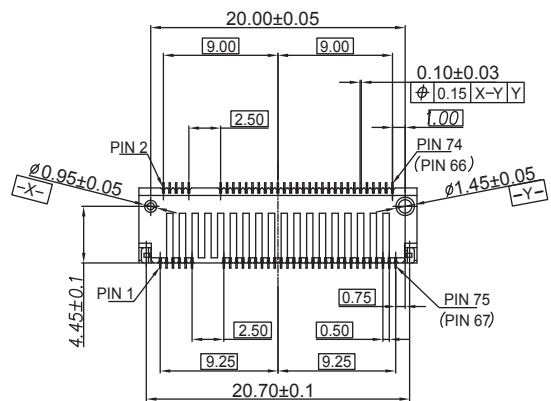


**HOW TO MATE AND UNMATE**  
 MATE ① — ②  
 UNMATE ③ — ④

Recommended Card Insertion Angle

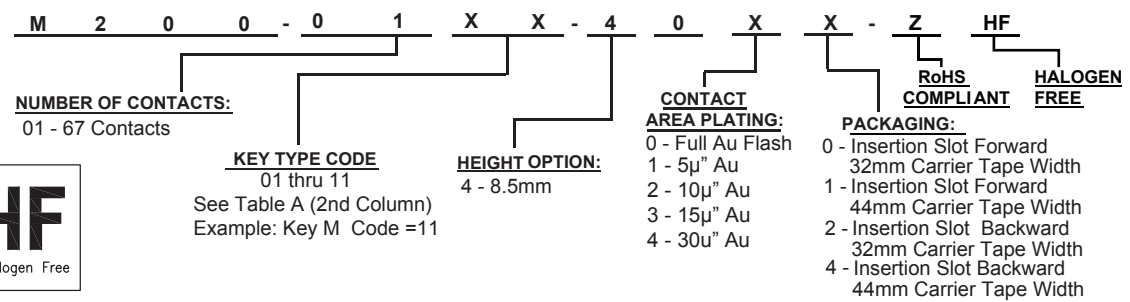


NOTE: Connector is 67 Pins  
 8 Pins Allotted For Keying

Table A : Keying Type & Code

KEY NAME	CODE NO.	DIM A	DIM B	DIM C	DIM D	DIM E	DIM F	DIM G
KEY A	00	6.625	1.5	14.5	1.0	14.5	1.375	1.125
KEY B	01	5.625	2.5	13.5	2.0	13.5	1.375	1.125
KEY C	02	4.625	3.5	12.5	3.0	12.5	1.375	1.125
KEY D	03	3.625	4.5	11.5	4.0	11.5	1.375	1.125
KEY E	04	2.625	5.5	10.5	5.0	10.5	1.375	1.125
KEY F	05	1.625	6.5	9.5	6.0	9.5	1.375	1.125
KEY G	06	-1.125	9.0	7.0	9.0	6.5	1.125	1.375
KEY H	07	-2.125	10.0	6.0	10.0	5.5	1.125	1.375
KEY J	08	-3.125	11.0	5.0	11.0	4.5	1.125	1.375
KEY K	09	-4.125	12.0	4.0	12.0	3.5	1.125	1.375
KEY L	10	-5.125	13.0	3.0	13.0	2.5	1.125	1.375
KEY M	11	-6.125	14.0	2.0	14.0	1.5	1.125	1.375

**HOW TO ORDER:**



**MATERIAL:**  
 HOUSING: High Temp Thermo Plastic UL94V-0, Black  
 SOLDER LATCH (PEG): Stainless Steel; 80u" Matte tin plating  
 over 50 u: Nickel  
 CONTACT: Copper Alloy  
 CONTACT PLATING: Specified Au Thickness in Contact Area  
 50u" Nickel Sub-Plate ; Au flash plating on solder tails.  
 See Contact Area Plating Option



Rev	Drawn	Checked	Approved	Date
0	B.S.	S.M.	S.M.	06/17/15
A	B.S.	S.M.	S.M.	10/13/16

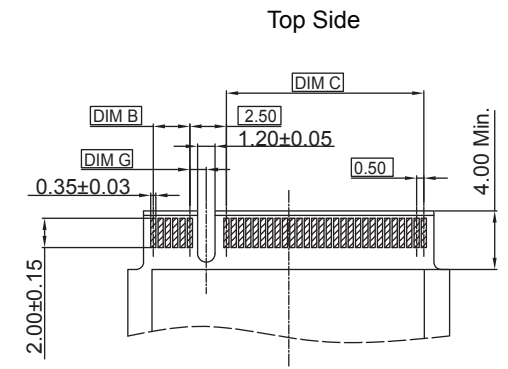
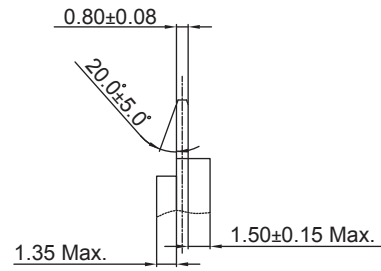
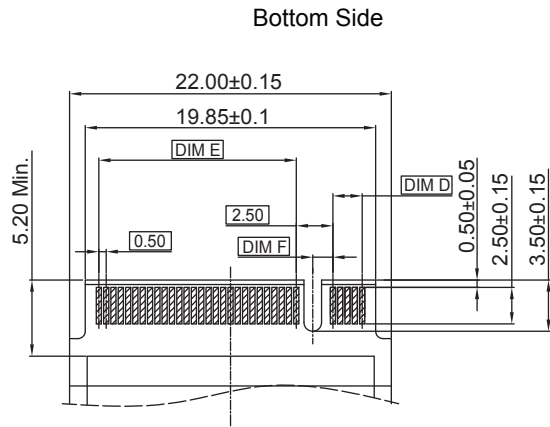
**SMP TECHNOLOGY, INC.**  
 NGFF Connector ; 8.50 mm Height

TOL. DEC. .X +/- 0.20 .XX +/- 0.15 .XXX +/- 0.10

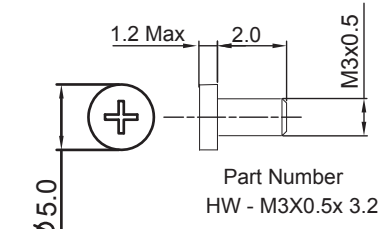
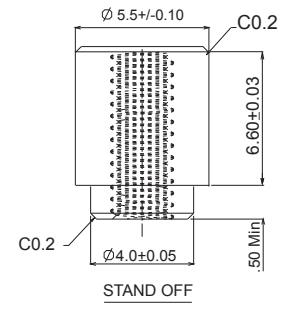
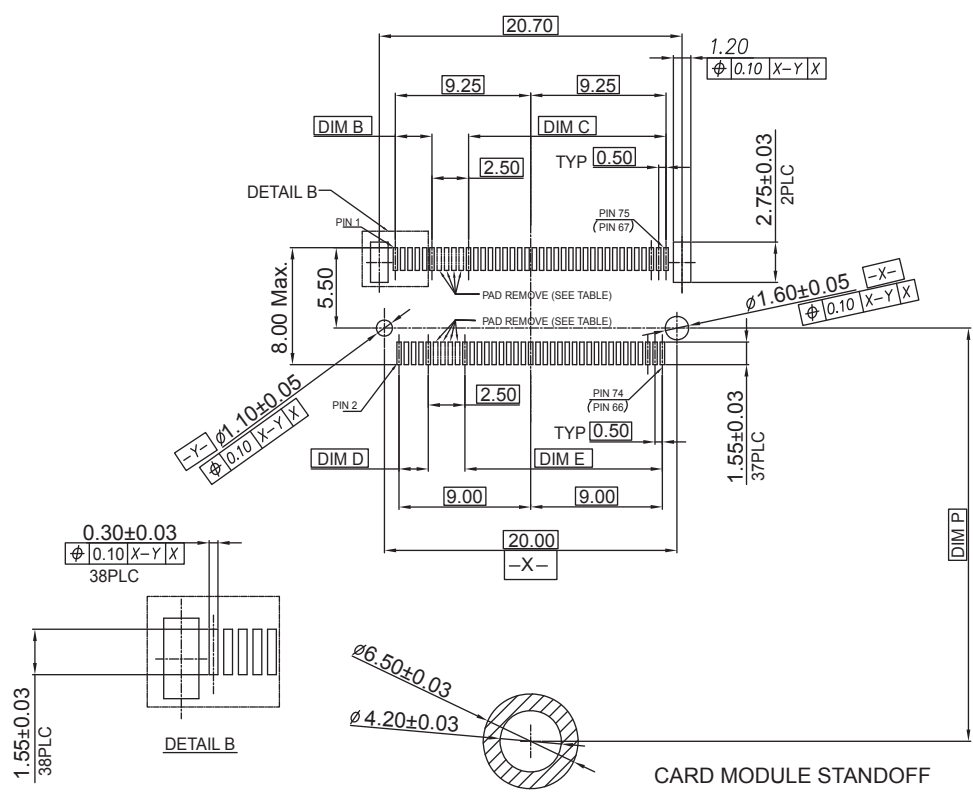
ANGLE +/- 1°

P/N: M200-01XX-40XX-ZHF

# Card Module PCB Layout



## Recommended PCB Layout for Connector



**Card Module Length** ▲

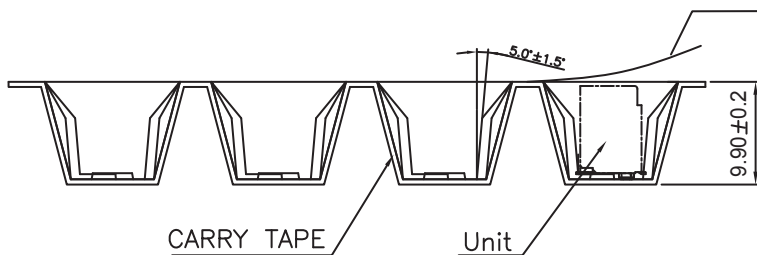
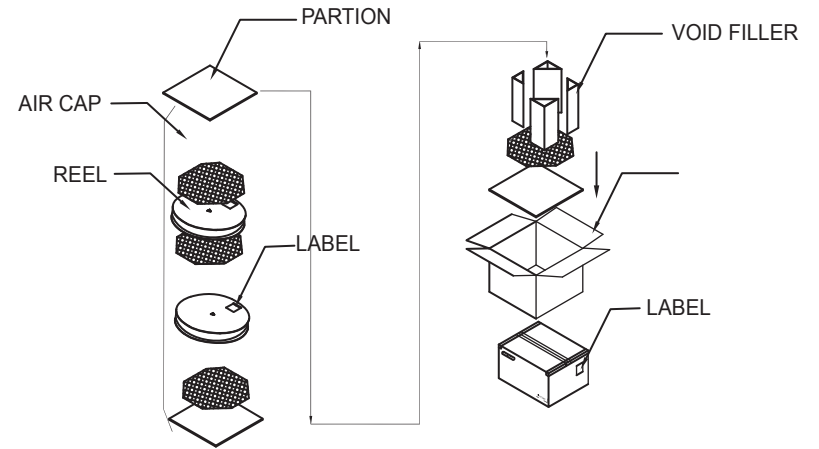
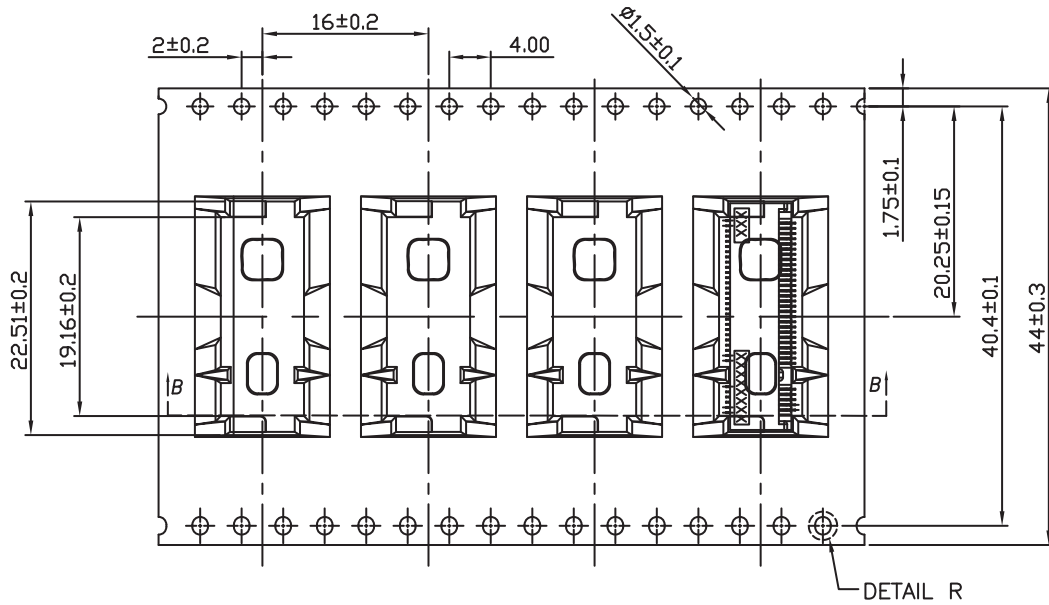
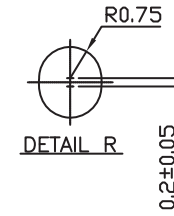
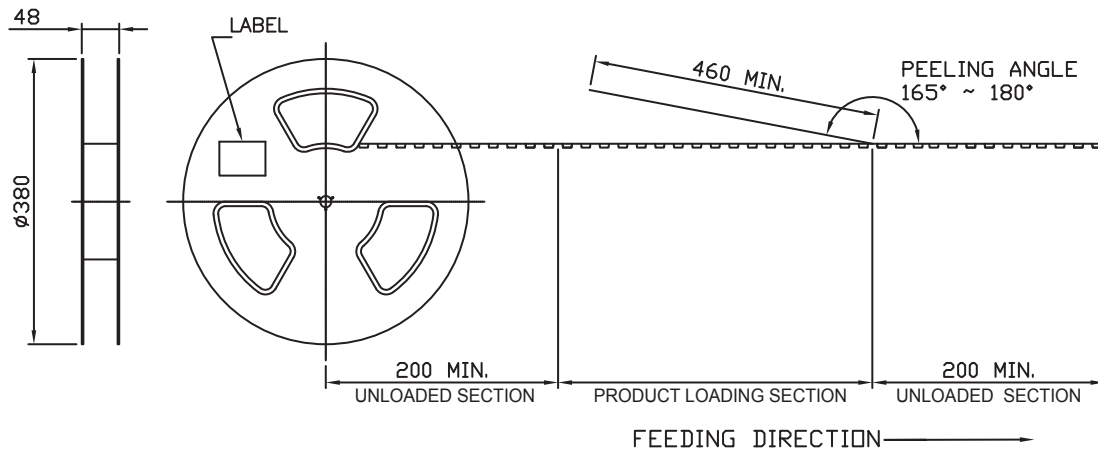
MODULE TYPE	DIM P
3030	28.25
3042	40.25
2230	28.25
2242	40.25
2260	58.25
2280	78.25
22110	108.25

Table A : Keying Type & Code

KEY NAME	CODE NO.	DIM A	DIM B	DIM C	DIM D	DIM E	DIM F	DIM G
KEY A	00	6.625	1.5	14.5	1.0	14.5	1.375	1.125
KEY B	01	5.625	2.5	13.5	2.0	13.5	1.375	1.125
KEY C	02	4.625	3.5	12.5	3.0	12.5	1.375	1.125
KEY D	03	3.625	4.5	11.5	4.0	11.5	1.375	1.125
KEY E	04	2.625	5.5	10.5	5.0	10.5	1.375	1.125
KEY F	05	1.625	6.5	9.5	6.0	9.5	1.375	1.125
KEY G	06	-1.125	9.0	7.0	9.0	6.5	1.125	1.375
KEY H	07	-2.125	10.0	6.0	10.0	5.5	1.125	1.375
KEY J	08	-3.125	11.0	5.0	11.0	4.5	1.125	1.375
KEY K	09	-4.125	12.0	4.0	12.0	3.5	1.125	1.375
KEY L	10	-5.125	13.0	3.0	13.0	2.5	1.125	1.375
KEY M	11	-6.125	14.0	2.0	14.0	1.5	1.125	1.375

**SMP TECHNOLOGY, INC.**

NGFF Connector ; 8.50 mm Height



<b>SMP TECHNOLOGY, INC.</b>
NGFF Connector ; 8.50 mm Height