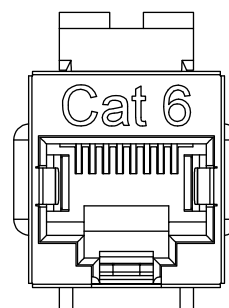
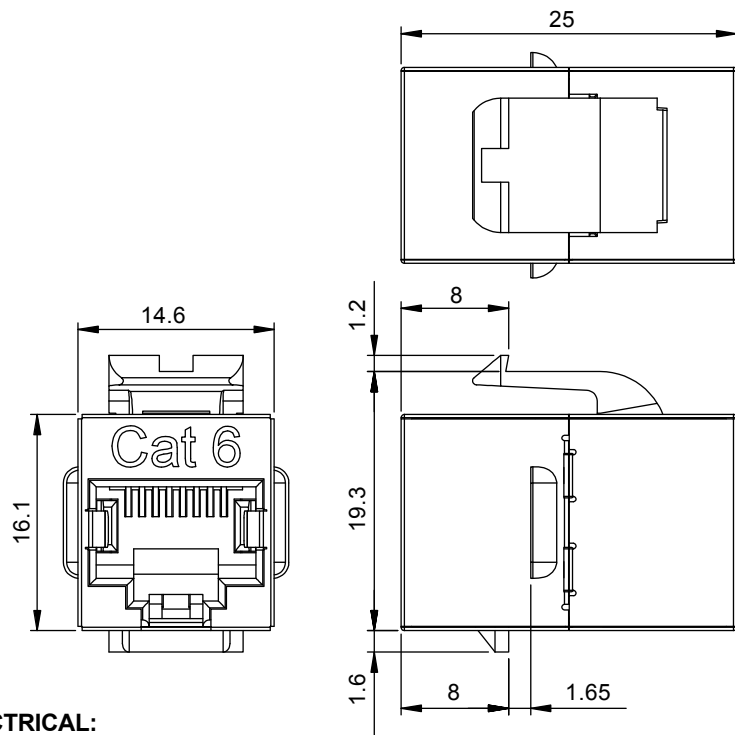
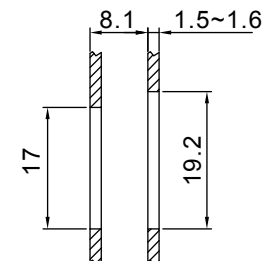
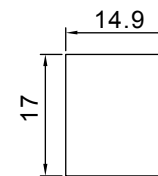


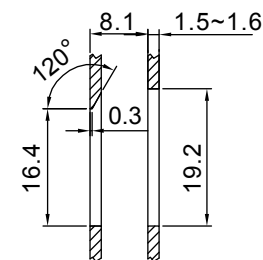
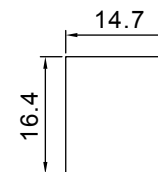
ISOMETRIC VIEW



METAL PANEL



PLASTIC PANEL



RECOMMENDED PANEL CUTOUT

ELECTRICAL:

CURRENT RATING: 1.5 AMPS MAX. DC
 INSULATION RESISTANCE: 500 Megaohms
 DIELECTRIC WITHSTANDING VOLTAGE:
 1000V (rms) AC for 1 Minute
 DC RESISTANCE: 0.1 Ohm
 CONTACT RESISTANCE: 20 milliohms

MATERIAL:

SHIELD: Brass, Nickel Plated
 COUPLER HOUSING: Polycarbonate, UL94V-0
 CONTACT HOLDER: Polycarbonate, UL94V-0
 CONTACT: Phosphor Bronze, 50u" Gold Plating

MECHANICAL:

DURABILITY: 750 Mating Cycles with FCC Compliant 8P Plug
 CONTACT FORCE: 100 grams with FCC Compliant 8P Plug
 PLUG RETENTION FORCE: 11 LBF min
 OPERATING TEMPERATURE: - 10° to 60° C
 STORAGE TEMPERATURE: - 40° to 68° C
 HUMIDITY: 10% - 90% RH

HOW TO ORDER:

M **0** **0** **7** - **8** **8** **0** **1** - **6** **2** **4** - **Z**

P: NUMBER OF POSITIONS
C: NUMBER OF CONTACTS
 88-8P8C

ORIENTATION:
 1 - Reverse

GOLD PLATING:
 4-50u" Au

6 - CAT 6 SHIELDED

RoHS COMPLIANT

| Rev | Drawn | Checked | Approved | Date |
|-----|-------|---------|----------|----------|
| 0 | B.S. | S.M. | S.M. | 03/31/18 |
| | | | | |
| | | | | |

SMP TECHNOLOGY, INC.

CAT 6 Inline Coupler, Mini Body, Shielded, Reverse Orientation

TOL. DEC. .X +/- 0.20 .XX +/- 0.40 .XXX +/- 0.5 ANGLE +/- 2° UNIT: mm

SERIES: M007-8801-624-Z

Pg: 1