

Note : RoHS COMPLIANT

**MATERIAL:**

MATERIAL: .25mm THICK COPPER ALLOY  
 PLATING: NICKEL OVER OR LEAD FREE TIN  
 OPERATING TEMPERATURE: - 55° C ~ +85° C  
 STORAGE TEMPERATURE: - 55° C ~ +85° C

Rev	Drawn	Checked	Approved	Date
0	BS	S.M.	S.M.	1/15/08

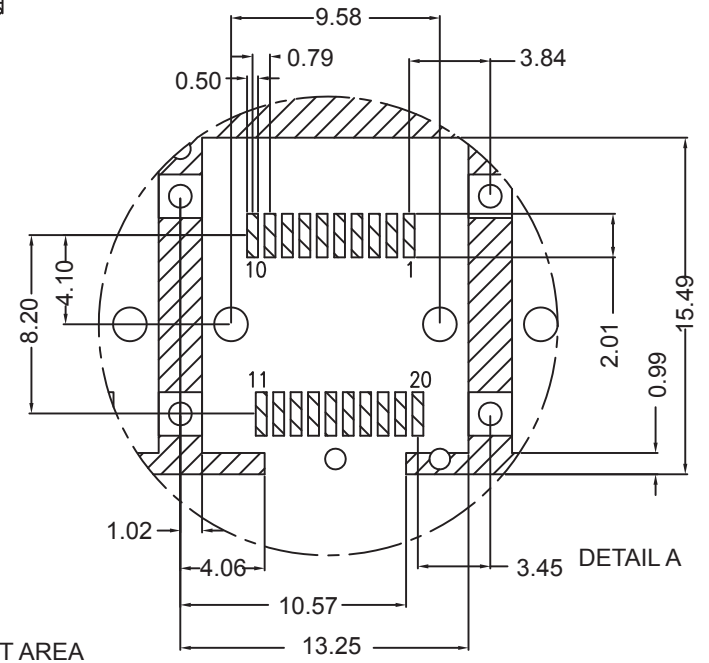
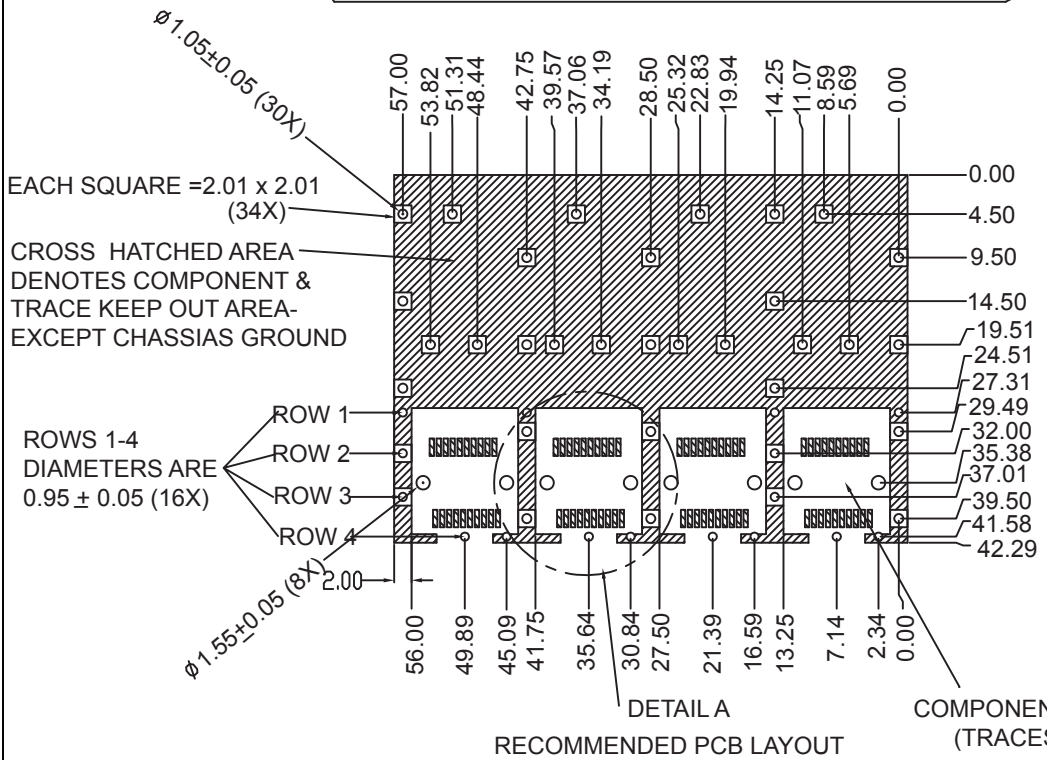
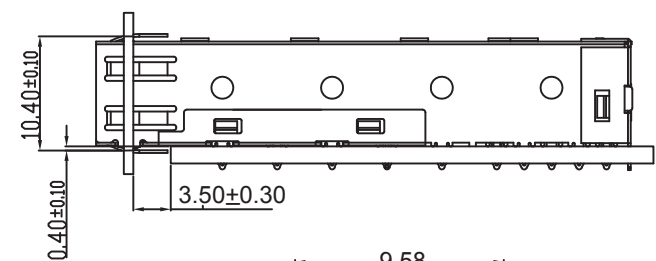
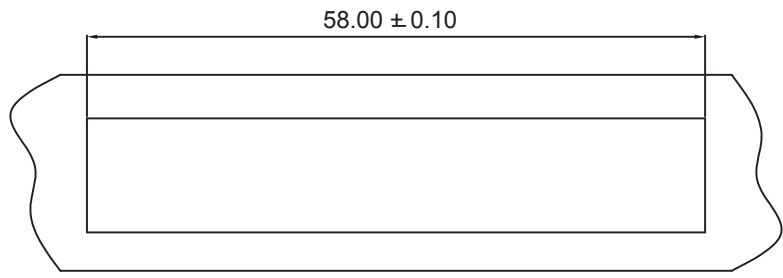
**SMP TECHNOLOGY, INC.**

SFP CAGE ASSEMBLY - 1 x 4 Press Fit

SCALE: N/A

TOL. DEC.    .X +/- 0.20    .XX +/- 0.15    .XXX +/- 0.075    ANGLE +0.45/-0.15    UNIT: mm

P/N: I016-0400-2000-Z Pg: 1



**MATERIAL:**  
 MATERIAL: .25mm THICK COPPER ALLOY  
 PLATING: NICKEL OVER OR LEAD FREE TIN  
 OPERATING TEMPERATURE: - 55° C ~ +85° C  
 STORAGE TEMPERATURE: - 55° C ~ +85° C

Note : RoHS COMPLIANT

Rev	Drawn	Checked	Approved	Date
0	BS	S.M.	S.M.	1/15/08

**SMP TECHNOLOGY, INC.**  
 SFP CAGE ASSEMBLY - 1 x 4 Press Fit

SCALE: N/A

TOL. DEC. .X +/- 0.20 .XX +/- 0.15 .XXX +/- 0.075 ANGLE +0.45/-0.15 UNIT: mm

P/N: I016-0400-2000-Z Pg: 2