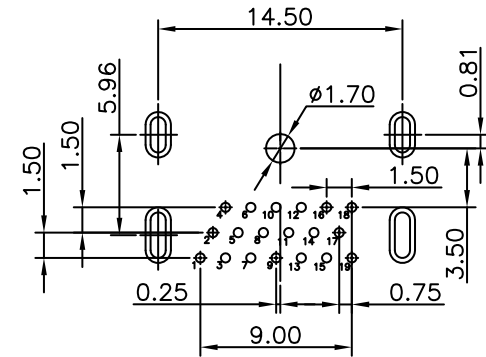
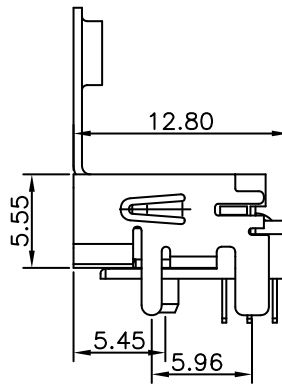
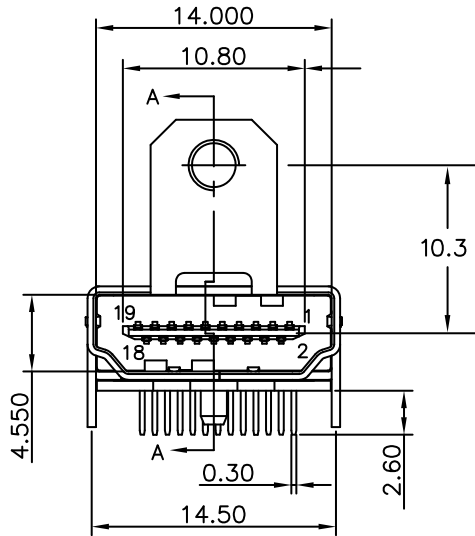
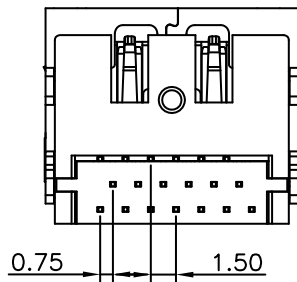


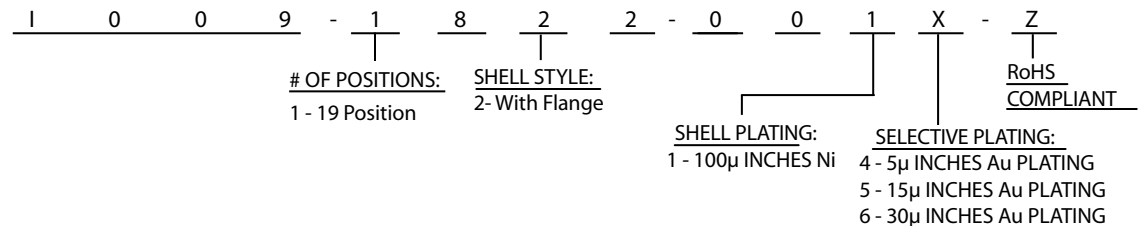
SEC: A-A



RECOMMENDED P.C BOARD LAYOUT



HOW TO ORDER:



Rev	Drawn	Checked	Approved	Date
0 Issued	B.S.	S.M.	S.M.	04/04/12

**SMP TECHNOLOGY, INC.**

High Definition Multimedia Interface (HDMI) Receptacle, Right Angle, 19 Position, Type 1, With Flange (10.3mm)