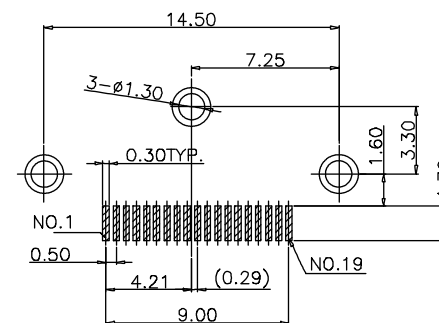
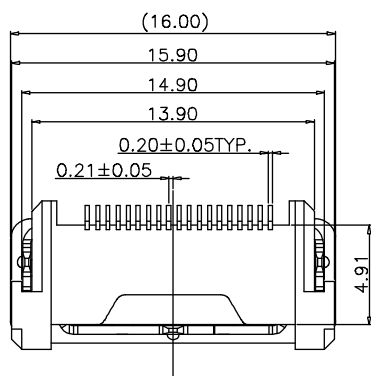


Isometric View



Recommended PCB Layout Thickness = 1.6mm
Tolerance: ±0.05

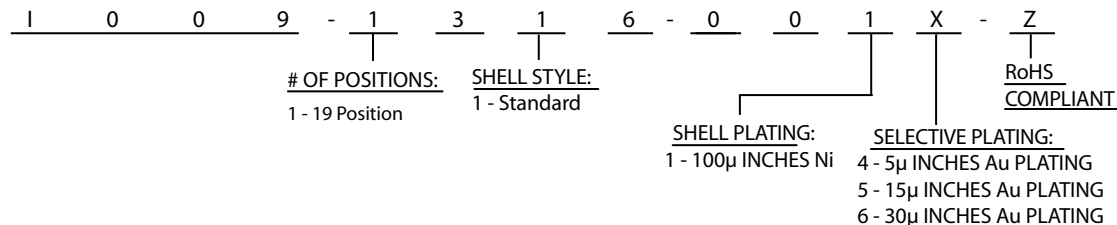
MATERIALS:

HOUSING: High Temperature Thermoplastic UL94-VO
CONTACTS: Copper Alloy
PLATING: Specified Gold Plating Thickness in Contact Area,
Tin Plating on OC Tail, All Over 50µ" Nickel

ELECTRICAL:

OPERATING CURRENT: 0.5A MAX.
OPERATING TEMPERATURE: -20°C TO +85°C
DIELECTRIC WITHSTANDING VOLTAGE:
500Volts AC Between Adjacent Terminal (Unmated)
300Volts AC Between Adjacent Terminal (Mated)
INSULATION RESISTANCE:
100 Mohm MIN. (Unmated), 10 Mohm MIN. (Mated)

HOW TO ORDER:



Rev	Drawn	Checked	Approved	Date
0 Issued	B.S.	S.M.	S.M.	06/24/15

SMP TECHNOLOGY, INC.

High Definition Multimedia Interface (HDMI) Receptacle,
Surface Mount, Vertical, With Mtg. Pegs, Flange (8.0mm)

Tolerance : Dimension .X +/- 0.25 .XX +/- 0.20 .XXX +/- 0.15 Angle +/- 3°

SERIES: I009-1316-001X-Z