

NOTE - USE THIS CONNECTOR WITH CAGE ASSEMBLY # C247245-Z

HOW TO ORDER:

1 0 0 6 - 2 0 2 0 - X 0 X - Z

NO. of POSITIONS:
- 20

ORIENTATION:
2 - RIGHT ANGLE

HARDWARE:
0 - 4-40 THREADED INSERT
1 - 4-40 THREADED INSERT
w/ FEMALE JACKSCREW ATTACHED

TAIL LENGTH "A" :
0 - 2.70mm
2 - 3.30mm

PLATING OVERALL:
0 - FULL Au FLASH
4 - 10u" Au
5 - 15u" Au
7 - 30u" Au

SELECTIVE PLATING:
1 - Au FLASH CONTACT AREA/TIN TAIL
9 - 15u" Au CONTACT AREA/TIN TAIL
A - 30u" Au CONTACT AREA/TIN TAIL

RoHS COMPLIANT

MATERIAL:

INSULATOR: HIGH TEMPERATURE THERMOPLASTIC
CONTACT: PHOSPHOR BRONZE
CONTACT FINISH: GOLD PLATING OVER NICKEL ON CONTACT AREA, TIN PLATING ON SOLDER TAIL.

SPECIFICATION:

VOLTAGE RATING: 30 VAC RMS MAX
CURRENT RATING: 0.5 AMP MAX
DIFFERENTIAL IMPEDANCE: 100 OHMS.
CAPACITANCE: 1.2PF MAX
CONTACT RESISTANCE: 20 MILLIOHMS MAX
DIELECTRIC WITHSTANDING: 500V DC RMS.
INSULATION RESISTANCE: 500 MΩ MIN.
CONTACT RESISTANCE: 20mΩ MAX.
OPERATING TEMPERATURE: -40°C~+85°C.

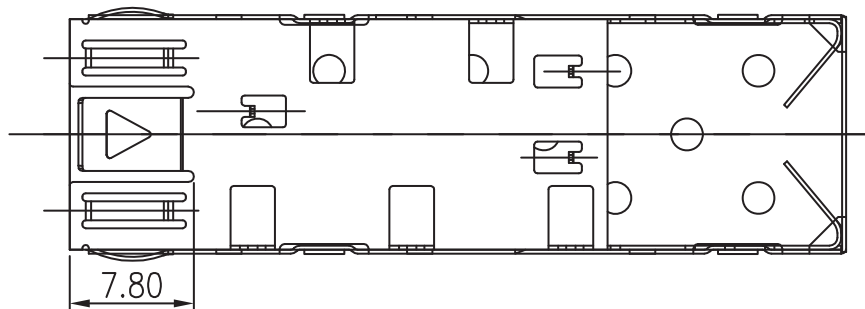
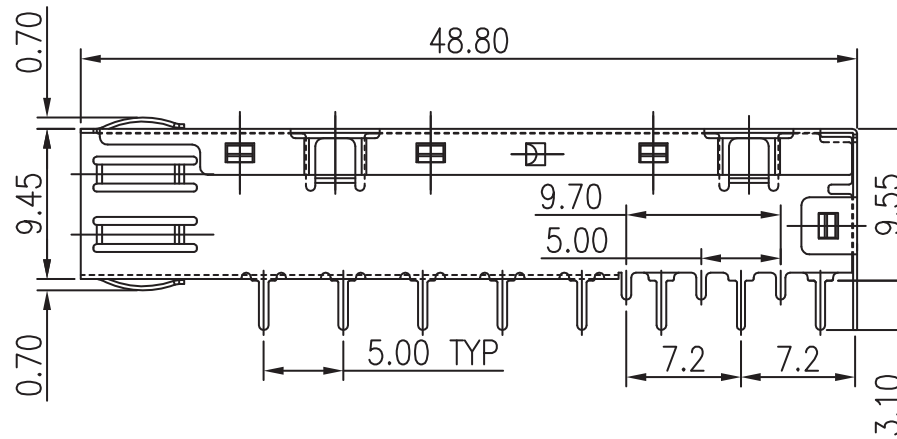
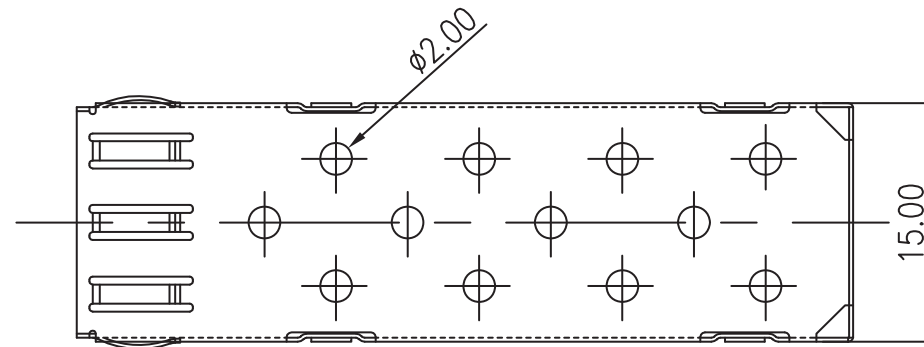
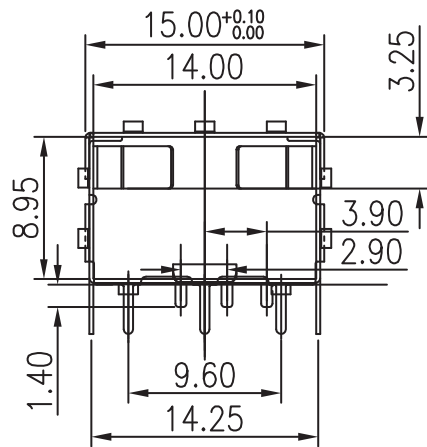
Rev	Drawn	Checked	Approved	Date
0	B.S.	S.M.	S.M.	1/5/07

SMP TECHNOLOGY, INC.

Small Form Factor Connector, 20 Position

SCALE N/A

TOL. DEC. .X +/- 0.20 .XX +/- 0.15 .XXX +/- 0.075 ANGLE +/- 3° UNIT: mm



MATERIAL:

MATERIAL: PHOSPHOR BRONZE C5191
 PLATING: NICKEL OVER ALL
 OPERATING TEMPERATURE: - 40° C ~ +85° C
 STORAGE TEMPERATURE: - 40° C ~ +85° C

Note : RoHS COMPLIANT

Rev	Drawn	Checked	Approved	Date
0	BS	S.M.	S.M.	1/15/08

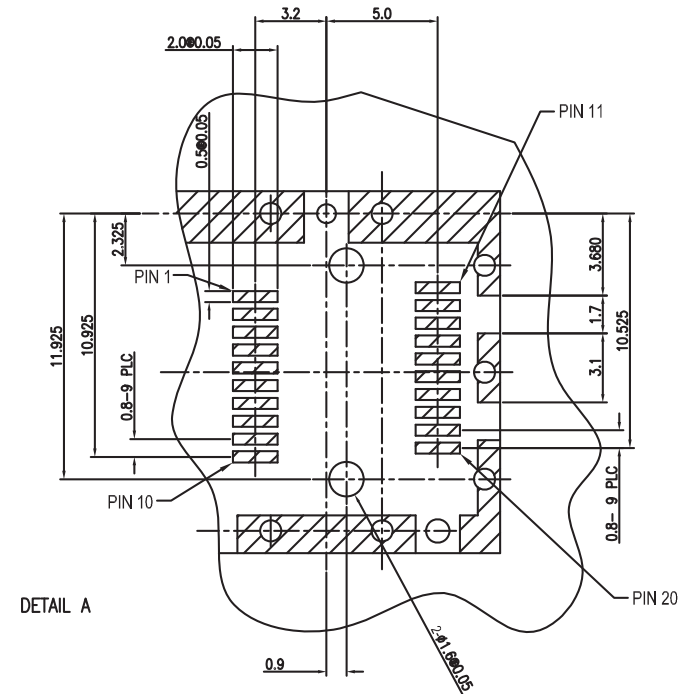
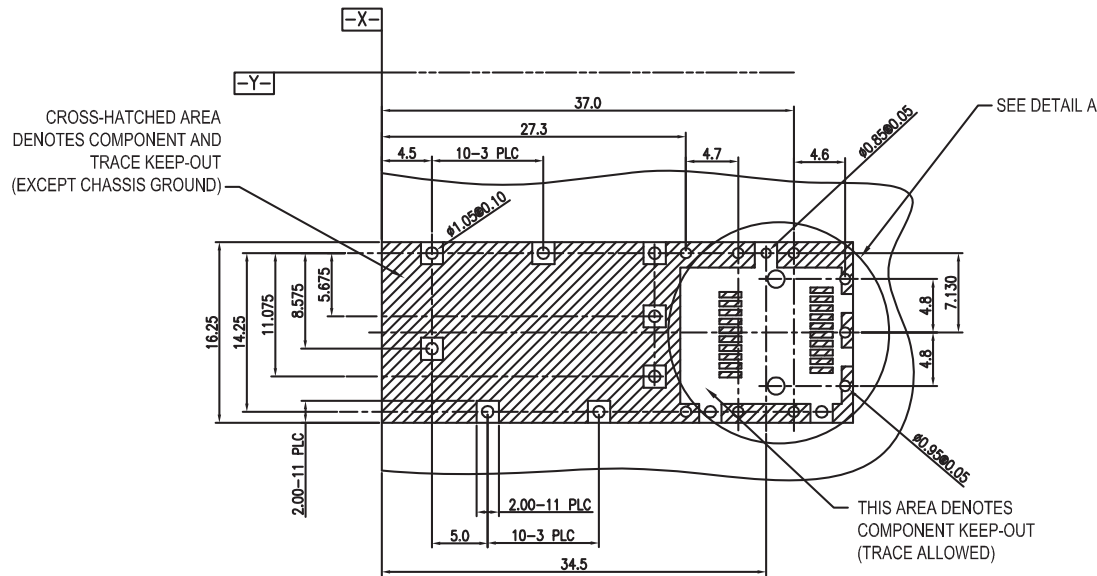
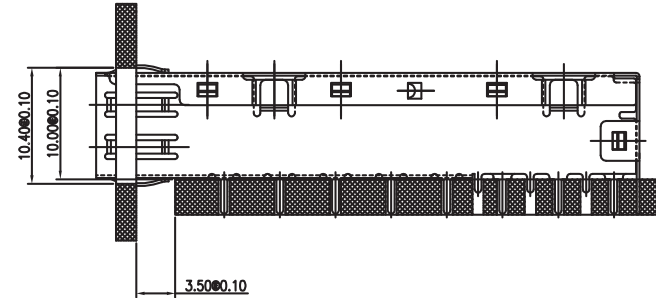
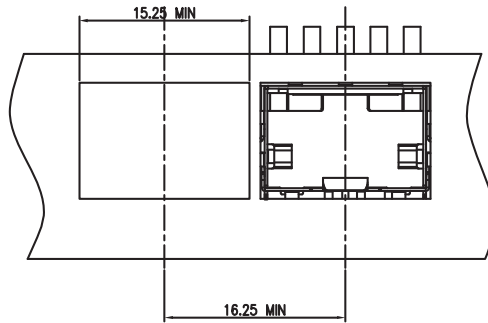
SMP TECHNOLOGY, INC.
 SFP CAGE ASSEMBLY - SOLDER TAIL TYPE 2

SCALE: N/A

TOL. DEC. .X +/- 0.20 .XX +/- 0.15 .XXX +/- 0.075 ANGLE +0.45/-0.15 UNIT: mm

P/N: C247246-Z (Type 2)

Pg: 1



PCB LAYOUT THICKNESS=3.0mm (TOP VIEW)

Rev	Drawn	Checked	Approved	Date
0	BS	S.M.	S.M.	1/15/08

SMP TECHNOLOGY, INC.
SFP CAGE CONNECTOR - SOLDER TAIL, TYPE 2

SCALE: N/A

TOL. DEC.	.X +/- 0.20	.XX +/- 0.15	.XXX +/- 0.075	ANGLE +0.45/-0.15	UNIT: mm
-----------	-------------	--------------	----------------	-------------------	----------